



# OLWX1 LED LED Wall Luminaire



Catalog  
Number

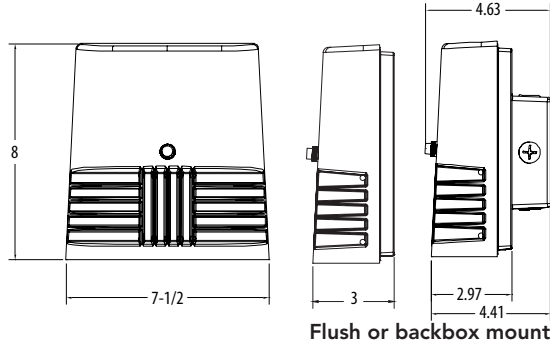
Notes

Type

Hit the Tab key or mouse over the page to see all interactive elements.

## Specifications

Width:	7-1/2" (19 cm)
Height:	8" (20.3 cm)
Depth:	3" (7.62 cm)
Weight:	5 lbs (2.27kg)



## Introduction

As versatile as it is efficient, the OLWX1 is designed to replace up to 250W metal halide while saving over 87% in energy costs. It combines multiple mounting options with the latest generation of LEDs for a wall pack luminaire that converts to a whole lot more. Whether you are mounting it to a recessed junction box, conduit/through wiring, as an up light, as a down light, or as a flood light – the OLWX1 has you covered.

## Ordering Information

EXAMPLE: OLWX1 LED 20W 50K

OLWX1 LED		Performance Package		Color Temperature		Voltage		Controls		Finish	
Series	OLWX1 LED	13W	13 watts	40K	4000 K <sup>1</sup>	(blank)	MVOLT <sup>2</sup>	(blank)	None	(blank)	Dark bronze
		20W	20 watts	50K	5000 K	120	120V <sup>3</sup>	PE	120V button photocell <sup>1,3</sup>		
		40W	40 watts			347	347V				

## Accessories

Ordered and shipped separately.

OLWX1TS	Slipfitter – size 1
OLWX1YK	Yoke – size 1
OLWX1THK	Knuckle – size 1

## NOTES

- Not available with 347V option.
- MVOLT driver operates on any line voltage from 120-277V (50/60Hz).
- Specify 120V when ordering with photocell (PE option).

## FEATURES & SPECIFICATIONS

### INTENDED USE

The versatility of the OLWX1 LED combines a sleek, low-profile wall pack design and high-output LEDs to provide an energy efficient, low maintenance LED wall pack suitable for replacing up to 250W metal halide fixtures. Available flood light mounting accessories convert the OLWX1 LED into a highly efficient flood light.

OLWX1 LED is ideal for outdoor applications such as building perimeters, loading areas, driveways and sign and building flood lighting.

### CONSTRUCTION

Rugged cast-aluminum housing with textured dark bronze polyester powder paint for lasting durability. Integral heat sinks optimize thermal management through conductive and convective cooling. LEDs are protected behind a glass lens. Housing is sealed against moisture and environmental contaminants (IP65).

### OPTICS

High-performance LEDs behind clear glass for maximum light output. Light engines are available in 4000K and 5000K CCTs. See Lighting Facts label and photometry reports for specific fixture performance.

### ELECTRICAL

Light engine consists of 1 high-efficiency Chip On Board (COB) LED with integrated circuit board mounted directly to the housing to maximize heat dissipation and promote long life (L73/100,000 hours at 25°C). Electronic drivers have a power factor >90% and THD <20% and a minimum 2.5kV surge rating. Flood light mounting accessories include an additional 6kV surge protection device.

### INSTALLATION

Easily mounts to recessed junction boxes with the included wall mount bracket, or for surface mounting and conduit entry - with the included junction box with five 1/2" threaded conduit entry hubs. Flood light mounting accessories (sold separately) include knuckle, integral slipfitter and yoke mounting options. Each flood mount accessory comes with a top visor and vandal guard. Luminaire may be wall or ground mounted in downward or upward orientation.

### LISTINGS

UL Listed to U.S. and Canadian safety standards for wet locations. Rated for -40° C minimum ambient. Tested in accordance with IESNA LM-79 and LM-80 standards. DesignLights Consortium® (DLC) qualified product. Not all versions of this product may be DLC qualified. Please check the DLC Qualified Products List at [www.designlights.org](http://www.designlights.org) to confirm which versions are qualified.

### WARRANTY

5-year limited warranty. Complete warranty terms located at: [www.acuitybrands.com/CustomerResources/Terms\\_and\\_conditions.aspx](http://www.acuitybrands.com/CustomerResources/Terms_and_conditions.aspx).

**Note:** Actual performance may differ as a result of end-user environment and application. All values are design or typical values, measured under laboratory conditions at 25°C. Specifications subject to change without notice.



## Performance Data

### Lumen Output

Lumen values are from photometric tests performed in accordance with IESNA LM-79-08. Data is considered to be representative of the configurations shown, within the tolerances allowed by Lighting Facts.

Fixture Model Number	CCT	System Watts	Lumens	LPW	B	U	G	CRI
OLWX1 LED 13W 40K	4000 K	14 W	1,271	91	1	0	0	>70
OLWX1 LED 13W 50K	5000 K	14 W	1,289	92	1	0	0	>80
OLWX1 LED 20W 40K	4000 K	20 W	2,697	135	1	0	0	>70
OLWX1 LED 20W 50K	5000 K	19 W	2,663	140	1	0	0	>70
OLWX1 LED 40W 40K	4000 K	39 W	4,027	101	2	0	0	>70
OLWX1 LED 40W 50K	5000 K	37 W	4,079	110	2	0	0	>70

### Electrical Load

Fixture Model Number	Rated Power (watts)	Input current at given input voltage (amps)				
		120V	208V	240V	277V	347V
OLWX1 LED 13W 40K	14 W	0.12	0.07	0.06	0.06	0.04
OLWX1 LED 13W 50K	14 W	0.12	0.07	0.06	0.06	0.04
OLWX1 LED 20W 40K	20 W	0.20	0.12	0.10	0.09	0.06
OLWX1 LED 20W 50K	19 W	0.20	0.12	0.10	0.09	0.06
OLWX1 LED 40W 40K	39 W	0.37	0.21	0.19	0.16	0.11
OLWX1 LED 40W 50K	37 W	0.37	0.21	0.19	0.16	0.11

### Lumen Ambient Temperature (LAT) Multipliers

Use these factors to determine relative lumen output for average ambient temperatures from 0-40°C (32-104°F).

	0°C	10°C	20°C	25°C	30°C	40°C
13W	1.06	1.03	1.01	1.00	0.99	0.96
20W	1.06	1.04	1.01	1.00	0.99	0.96
40W	1.07	1.04	1.01	1.00	0.99	0.96

### Projected LED Lumen Maintenance

Data references the extrapolated performance projections in a 25°C ambient, based on 10,000 hours of LED testing (tested per IESNA LM-80-08 and projected per IESNA TM-21-11).

To calculate LLF, use the lumen maintenance factor that corresponds to the desired number of operating hours below. For other lumen maintenance values, contact factory.

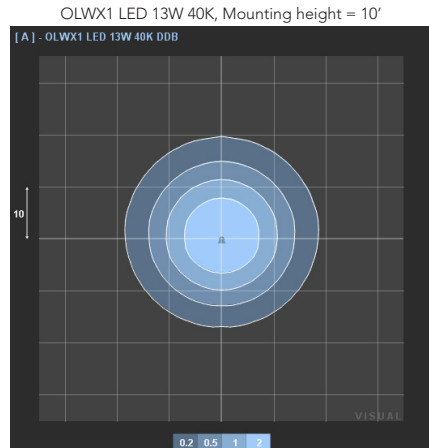
Operating Hours	0	25,000	50,000	100,000
OLWX1 LED 13W	1.00	0.92	0.85	0.73
OLWX1 LED 20W	1.00	0.92	0.85	0.73
OLWX1 LED 40W	1.00	0.94	0.88	0.79

## Photometric Diagrams

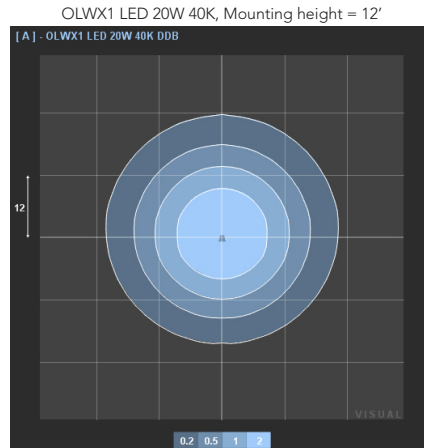
To see complete photometric reports or download .ies files for this product, visit the Lithonia Lighting OLWX1 LED homepage. Tested in accordance with IESNA LM-79 and LM-80 standards

### LEGEND

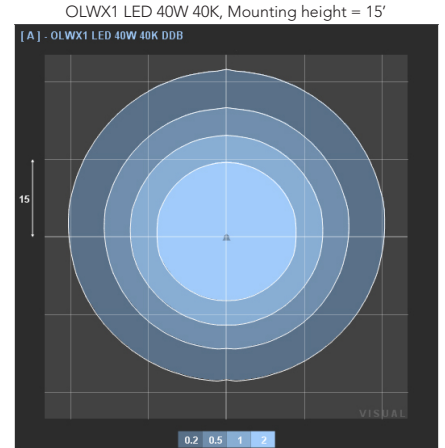
- 0.2 fc
- 0.5 fc
- 1.0 fc
- 2.0 fc



Test No. LTL22697 tested in accordance with IESNA LM-79-08.



Test No. LTL22696 tested in accordance with IESNA LM-79-08.



Test No. LTL22695 tested in accordance with IESNA LM-79-08.

## Accessories



**OLWX1TS**  
Slipfitter – size 1



**OLWX1YK**  
Yoke – size 1



**OLWX1THK**  
Knuckle – size 1



**Top Visor and Vandal Guard**  
included with accessories



# Lighting Facts Labels

OLWX1 LED 13W 40K XXX XX XXX

Lithonia Lighting

**Lighting facts**  
A Program of the U.S. DOE

Light Output (Lumens)	1271
Watts	14
Lumens per Watt (Efficacy)	90

Color Accuracy Color Rendering Index (CRI)	76
---	----

**Light Color**  
Correlated Color Temperature (CCT) **4000 (Bright White)**

2700K 3000K 4500K 6500K

All results are according to IESNA LM-79-2008: *Approved Method for the Electrical and Photometric Testing of Solid-State Lighting*. The U.S. Department of Energy (DOE) verifies product test data and results.

Visit [www.lightingfacts.com](http://www.lightingfacts.com) for the *Label Reference Guide*.

Registration Number: NJSM-B7TTMD (6/23/2014)  
Model Number: OLWX1 LED 13W 40K XXX XX XXX  
Type: Luminaire - Other

OLWX1 LED 13W 50K XXX XX XXX

Lithonia Lighting

**Lighting facts**  
A Program of the U.S. DOE

Light Output (Lumens)	1289
Watts	13.6
Lumens per Watt (Efficacy)	94

Color Accuracy Color Rendering Index (CRI)	83
---	----

**Light Color**  
Correlated Color Temperature (CCT) **5000 (Daylight)**

2700K 3000K 4500K 6500K

All results are according to IESNA LM-79-2008: *Approved Method for the Electrical and Photometric Testing of Solid-State Lighting*. The U.S. Department of Energy (DOE) verifies product test data and results.

Visit [www.lightingfacts.com](http://www.lightingfacts.com) for the *Label Reference Guide*.

Registration Number: NJSM-VYH35V (5/27/2014)  
Model Number: OLWX1 LED 13W 50K XXX XX XXX  
Type: Luminaire - Other

OLWX1 LED 20W 40K XXX XX XXX

Lithonia Lighting

**Lighting facts**  
A Program of the U.S. DOE

Light Output (Lumens)	2697
Watts	19.62
Lumens per Watt (Efficacy)	137.46

Color Accuracy Color Rendering Index (CRI)	70
---	----

**Light Color**  
Correlated Color Temperature (CCT) **4000 (Bright White)**

2700K 3000K 4500K 6500K

All results are according to IESNA LM-79-2008: *Approved Method for the Electrical and Photometric Testing of Solid-State Lighting*. The U.S. Department of Energy (DOE) verifies product test data and results.

Visit [www.lightingfacts.com](http://www.lightingfacts.com) for the *Label Reference Guide*.

Registration Number: NJSM-E483EB (8/25/2016)  
Model Number: OLWX1 LED 20W 40K XXX XX XXX [Upgrade : 8/25/2016]  
Type: Luminaire - Other

OLWX1 LED 20W 50K XXX XX XXX

Lithonia Lighting

**Lighting facts**  
A Program of the U.S. DOE

Light Output (Lumens)	2663
Watts	19.33
Lumens per Watt (Efficacy)	137.77

Color Accuracy Color Rendering Index (CRI)	70
---	----

**Light Color**  
Correlated Color Temperature (CCT) **5000 (Daylight)**

2700K 3000K 4500K 6500K

All results are according to IESNA LM-79-2008: *Approved Method for the Electrical and Photometric Testing of Solid-State Lighting*. The U.S. Department of Energy (DOE) verifies product test data and results.

Visit [www.lightingfacts.com](http://www.lightingfacts.com) for the *Label Reference Guide*.

Registration Number: NJSM-D3MG3X (8/25/2016)  
Model Number: OLWX1 LED 20W 50K XXX XX XXX [Upgrade : 8/25/2016]  
Type: Luminaire - Other

OLWX1 LED 40W 40K XXX XX XXX

Lithonia Lighting

**Lighting facts**  
A Program of the U.S. DOE

Light Output (Lumens)	4027
Watts	39.81
Lumens per Watt (Efficacy)	101

Color Accuracy Color Rendering Index (CRI)	70
---	----

**Light Color**  
Correlated Color Temperature (CCT) **4000 (Bright White)**

2700K 3000K 4500K 6500K

All results are according to IESNA LM-79-2008: *Approved Method for the Electrical and Photometric Testing of Solid-State Lighting*. The U.S. Department of Energy (DOE) verifies product test data and results.

Visit [www.lightingfacts.com](http://www.lightingfacts.com) for the *Label Reference Guide*.

Registration Number: NJSM-D122K1 (Revised)  
Model Number: OLWX1 LED 40W 40K XXX XX XXX  
Type: Luminaire - Other

OLWX1 LED 40W 50K XXX XX XXX

Lithonia Lighting

**Lighting facts**  
A Program of the U.S. DOE

Light Output (Lumens)	4079
Watts	36.9
Lumens per Watt (Efficacy)	110

Color Accuracy Color Rendering Index (CRI)	72
---	----

**Light Color**  
Correlated Color Temperature (CCT) **5116 (Daylight)**

2700K 3000K 4500K 6500K

All results are according to IESNA LM-79-2008: *Approved Method for the Electrical and Photometric Testing of Solid-State Lighting*. The U.S. Department of Energy (DOE) verifies product test data and results.

Visit [www.lightingfacts.com](http://www.lightingfacts.com) for the *Label Reference Guide*.

Registration Number: NJSM-F7MC2K (7/7/2014)  
Model Number: OLWX1 LED 40W 50K XXX XX XXX  
Type: Luminaire - Other



# OLWX1 LED LED Wall Luminaire



Catalog  
Number

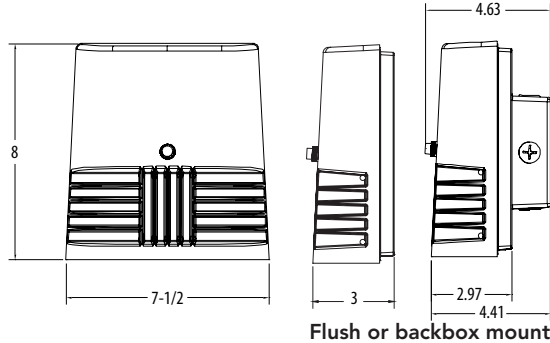
Notes

Type

Hit the Tab key or mouse over the page to see all interactive elements.

## Specifications

Width:	7-1/2" (19 cm)
Height:	8" (20.3 cm)
Depth:	3" (7.62 cm)
Weight:	5 lbs (2.27kg)



## Introduction

As versatile as it is efficient, the OLWX1 is designed to replace up to 250W metal halide while saving over 87% in energy costs. It combines multiple mounting options with the latest generation of LEDs for a wall pack luminaire that converts to a whole lot more. Whether you are mounting it to a recessed junction box, conduit/through wiring, as an up light, as a down light, or as a flood light – the OLWX1 has you covered.

## Ordering Information

EXAMPLE: OLWX1 LED 20W 50K

OLWX1 LED		Performance Package		Color Temperature		Voltage		Controls		Finish	
Series	OLWX1 LED	13W	13 watts	40K	4000 K <sup>1</sup>	(blank)	MVOLT <sup>2</sup>	(blank)	None	(blank)	Dark bronze
		20W	20 watts	50K	5000 K	120	120V <sup>3</sup>	PE	120V button photocell <sup>1,3</sup>		
		40W	40 watts			347	347V				

## Accessories

Ordered and shipped separately.

OLWX1TS	Slipfitter – size 1
OLWX1YK	Yoke – size 1
OLWX1THK	Knuckle – size 1

## NOTES

- Not available with 347V option.
- MVOLT driver operates on any line voltage from 120-277V (50/60Hz).
- Specify 120V when ordering with photocell (PE option).

## FEATURES & SPECIFICATIONS

### INTENDED USE

The versatility of the OLWX1 LED combines a sleek, low-profile wall pack design and high-output LEDs to provide an energy efficient, low maintenance LED wall pack suitable for replacing up to 250W metal halide fixtures. Available flood light mounting accessories convert the OLWX1 LED into a highly efficient flood light.

OLWX1 LED is ideal for outdoor applications such as building perimeters, loading areas, driveways and sign and building flood lighting.

### CONSTRUCTION

Rugged cast-aluminum housing with textured dark bronze polyester powder paint for lasting durability. Integral heat sinks optimize thermal management through conductive and convective cooling. LEDs are protected behind a glass lens. Housing is sealed against moisture and environmental contaminants (IP65).

### OPTICS

High-performance LEDs behind clear glass for maximum light output. Light engines are available in 4000K and 5000K CCTs. See Lighting Facts label and photometry reports for specific fixture performance.

### ELECTRICAL

Light engine consists of 1 high-efficiency Chip On Board (COB) LED with integrated circuit board mounted directly to the housing to maximize heat dissipation and promote long life (L73/100,000 hours at 25°C). Electronic drivers have a power factor >90% and THD <20% and a minimum 2.5kV surge rating. Flood light mounting accessories include an additional 6kV surge protection device.

### INSTALLATION

Easily mounts to recessed junction boxes with the included wall mount bracket, or for surface mounting and conduit entry - with the included junction box with five 1/2" threaded conduit entry hubs. Flood light mounting accessories (sold separately) include knuckle, integral slipfitter and yoke mounting options. Each flood mount accessory comes with a top visor and vandal guard. Luminaire may be wall or ground mounted in downward or upward orientation.

### LISTINGS

UL Listed to U.S. and Canadian safety standards for wet locations. Rated for -40° C minimum ambient. Tested in accordance with IESNA LM-79 and LM-80 standards. DesignLights Consortium® (DLC) qualified product. Not all versions of this product may be DLC qualified. Please check the DLC Qualified Products List at [www.designlights.org](http://www.designlights.org) to confirm which versions are qualified.

### WARRANTY

5-year limited warranty. Complete warranty terms located at: [www.acuitybrands.com/CustomerResources/Terms\\_and\\_conditions.aspx](http://www.acuitybrands.com/CustomerResources/Terms_and_conditions.aspx).

**Note:** Actual performance may differ as a result of end-user environment and application. All values are design or typical values, measured under laboratory conditions at 25°C. Specifications subject to change without notice.



## Performance Data

### Lumen Output

Lumen values are from photometric tests performed in accordance with IESNA LM-79-08. Data is considered to be representative of the configurations shown, within the tolerances allowed by Lighting Facts.

Fixture Model Number	CCT	System Watts	Lumens	LPW	B	U	G	CRI
OLWX1 LED 13W 40K	4000 K	14 W	1,271	91	1	0	0	>70
OLWX1 LED 13W 50K	5000 K	14 W	1,289	92	1	0	0	>80
OLWX1 LED 20W 40K	4000 K	20 W	2,697	135	1	0	0	>70
OLWX1 LED 20W 50K	5000 K	19 W	2,663	140	1	0	0	>70
OLWX1 LED 40W 40K	4000 K	39 W	4,027	101	2	0	0	>70
OLWX1 LED 40W 50K	5000 K	37 W	4,079	110	2	0	0	>70

### Electrical Load

Fixture Model Number	Rated Power (watts)	Input current at given input voltage (amps)				
		120V	208V	240V	277V	347V
OLWX1 LED 13W 40K	14 W	0.12	0.07	0.06	0.06	0.04
OLWX1 LED 13W 50K	14 W	0.12	0.07	0.06	0.06	0.04
OLWX1 LED 20W 40K	20 W	0.20	0.12	0.10	0.09	0.06
OLWX1 LED 20W 50K	19 W	0.20	0.12	0.10	0.09	0.06
OLWX1 LED 40W 40K	39 W	0.37	0.21	0.19	0.16	0.11
OLWX1 LED 40W 50K	37 W	0.37	0.21	0.19	0.16	0.11

### Lumen Ambient Temperature (LAT) Multipliers

Use these factors to determine relative lumen output for average ambient temperatures from 0-40°C (32-104°F).

	0°C	10°C	20°C	25°C	30°C	40°C
13W	1.06	1.03	1.01	1.00	0.99	0.96
20W	1.06	1.04	1.01	1.00	0.99	0.96
40W	1.07	1.04	1.01	1.00	0.99	0.96

### Projected LED Lumen Maintenance

Data references the extrapolated performance projections in a 25°C ambient, based on 10,000 hours of LED testing (tested per IESNA LM-80-08 and projected per IESNA TM-21-11).

To calculate LLF, use the lumen maintenance factor that corresponds to the desired number of operating hours below. For other lumen maintenance values, contact factory.

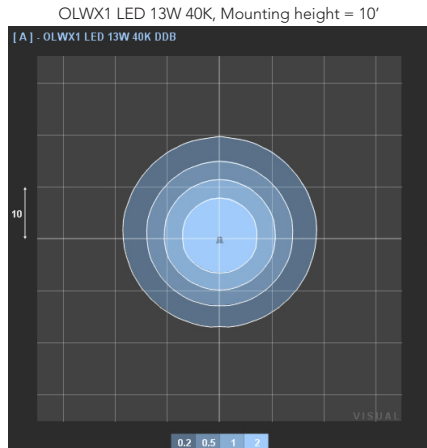
Operating Hours	0	25,000	50,000	100,000
OLWX1 LED 13W	1.00	0.92	0.85	0.73
OLWX1 LED 20W	1.00	0.92	0.85	0.73
OLWX1 LED 40W	1.00	0.94	0.88	0.79

## Photometric Diagrams

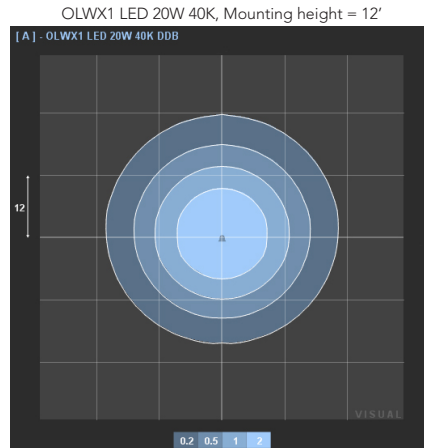
To see complete photometric reports or download .ies files for this product, visit the Lithonia Lighting OLWX1 LED homepage. Tested in accordance with IESNA LM-79 and LM-80 standards

### LEGEND

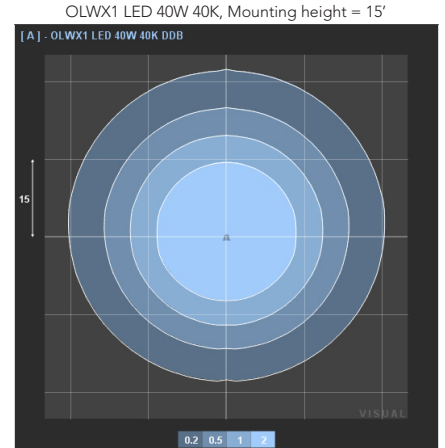
- 0.2 fc
- 0.5 fc
- 1.0 fc
- 2.0 fc



Test No. LTL22697 tested in accordance with IESNA LM-79-08.



Test No. LTL22696 tested in accordance with IESNA LM-79-08.



Test No. LTL22695 tested in accordance with IESNA LM-79-08.

## Accessories



**OLWX1TS**  
Slipfitter – size 1



**OLWX1YK**  
Yoke – size 1



**OLWX1THK**  
Knuckle – size 1



**Top Visor and Vandal Guard**  
included with accessories



# Lighting Facts Labels

OLWX1 LED 13W 40K XXX XX XXX

Lithonia Lighting

**Lighting facts**  
A Program of the U.S. DOE

Light Output (Lumens)	1271
Watts	14
Lumens per Watt (Efficacy)	90

Color Accuracy Color Rendering Index (CRI)	76
---	----

**Light Color**  
Correlated Color Temperature (CCT) **4000 (Bright White)**

2700K 3000K 4500K 6500K

All results are according to IESNA LM-79-2008: *Approved Method for the Electrical and Photometric Testing of Solid-State Lighting*. The U.S. Department of Energy (DOE) verifies product test data and results.

Visit [www.lightingfacts.com](http://www.lightingfacts.com) for the *Label Reference Guide*.

Registration Number: NJSM-B7TTMD (6/23/2014)  
Model Number: OLWX1 LED 13W 40K XXX XX XXX  
Type: Luminaire - Other

OLWX1 LED 13W 50K XXX XX XXX

Lithonia Lighting

**Lighting facts**  
A Program of the U.S. DOE

Light Output (Lumens)	1289
Watts	13.6
Lumens per Watt (Efficacy)	94

Color Accuracy Color Rendering Index (CRI)	83
---	----

**Light Color**  
Correlated Color Temperature (CCT) **5000 (Daylight)**

2700K 3000K 4500K 6500K

All results are according to IESNA LM-79-2008: *Approved Method for the Electrical and Photometric Testing of Solid-State Lighting*. The U.S. Department of Energy (DOE) verifies product test data and results.

Visit [www.lightingfacts.com](http://www.lightingfacts.com) for the *Label Reference Guide*.

Registration Number: NJSM-VYH35V (5/27/2014)  
Model Number: OLWX1 LED 13W 50K XXX XX XXX  
Type: Luminaire - Other

OLWX1 LED 20W 40K XXX XX XXX

Lithonia Lighting

**Lighting facts**  
A Program of the U.S. DOE

Light Output (Lumens)	2697
Watts	19.62
Lumens per Watt (Efficacy)	137.46

Color Accuracy Color Rendering Index (CRI)	70
---	----

**Light Color**  
Correlated Color Temperature (CCT) **4000 (Bright White)**

2700K 3000K 4500K 6500K

All results are according to IESNA LM-79-2008: *Approved Method for the Electrical and Photometric Testing of Solid-State Lighting*. The U.S. Department of Energy (DOE) verifies product test data and results.

Visit [www.lightingfacts.com](http://www.lightingfacts.com) for the *Label Reference Guide*.

Registration Number: NJSM-E483EB (8/25/2016)  
Model Number: OLWX1 LED 20W 40K XXX XX XXX [Upgrade : 8/25/2016]  
Type: Luminaire - Other

OLWX1 LED 20W 50K XXX XX XXX

Lithonia Lighting

**Lighting facts**  
A Program of the U.S. DOE

Light Output (Lumens)	2663
Watts	19.33
Lumens per Watt (Efficacy)	137.77

Color Accuracy Color Rendering Index (CRI)	70
---	----

**Light Color**  
Correlated Color Temperature (CCT) **5000 (Daylight)**

2700K 3000K 4500K 6500K

All results are according to IESNA LM-79-2008: *Approved Method for the Electrical and Photometric Testing of Solid-State Lighting*. The U.S. Department of Energy (DOE) verifies product test data and results.

Visit [www.lightingfacts.com](http://www.lightingfacts.com) for the *Label Reference Guide*.

Registration Number: NJSM-D3MG3X (8/25/2016)  
Model Number: OLWX1 LED 20W 50K XXX XX XXX [Upgrade : 8/25/2016]  
Type: Luminaire - Other

OLWX1 LED 40W 40K XXX XX XXX

Lithonia Lighting

**Lighting facts**  
A Program of the U.S. DOE

Light Output (Lumens)	4027
Watts	39.81
Lumens per Watt (Efficacy)	101

Color Accuracy Color Rendering Index (CRI)	70
---	----

**Light Color**  
Correlated Color Temperature (CCT) **4000 (Bright White)**

2700K 3000K 4500K 6500K

All results are according to IESNA LM-79-2008: *Approved Method for the Electrical and Photometric Testing of Solid-State Lighting*. The U.S. Department of Energy (DOE) verifies product test data and results.

Visit [www.lightingfacts.com](http://www.lightingfacts.com) for the *Label Reference Guide*.

Registration Number: NJSM-D122K1 (Revised)  
Model Number: OLWX1 LED 40W 40K XXX XX XXX  
Type: Luminaire - Other

OLWX1 LED 40W 50K XXX XX XXX

Lithonia Lighting

**Lighting facts**  
A Program of the U.S. DOE

Light Output (Lumens)	4079
Watts	36.9
Lumens per Watt (Efficacy)	110

Color Accuracy Color Rendering Index (CRI)	72
---	----

**Light Color**  
Correlated Color Temperature (CCT) **5116 (Daylight)**

2700K 3000K 4500K 6500K

All results are according to IESNA LM-79-2008: *Approved Method for the Electrical and Photometric Testing of Solid-State Lighting*. The U.S. Department of Energy (DOE) verifies product test data and results.

Visit [www.lightingfacts.com](http://www.lightingfacts.com) for the *Label Reference Guide*.

Registration Number: NJSM-F7MC2K (7/7/2014)  
Model Number: OLWX1 LED 40W 50K XXX XX XXX  
Type: Luminaire - Other