

| |
|----------------|
| Catalog Number |
| Notes |
| Type |

FEATURES & SPECIFICATIONS

INTENDED USE — The OLWP provides years of maintenance-free general illumination for commercial or residential outdoor applications such as driveways, patios, loading areas and warehouses.

CONSTRUCTION — Rugged cast-aluminum, corrosion-resistant rear mounting plate.

Impact resistant polycarbonate front cover/diffuser resists fading and cracking.

Driver operates at 120V.

Operating temperature -40°C to 40°C.

OPTICS — High-performance LEDs maintain 70% of light output at 50,000 hours of service. (LED lifespan based on IESNA LM-80-08 results and calculated per IESNA TM-21-11 methodology.)

Lenses are engineered for superior lighting distribution, uniformity and fixture spacing.

See Lighting Facts Labels for specific fixture performance.

INSTALLATION — Designed for wall mounting more than 4' above the ground. Mounts to a recessed junction box (by others).

LISTINGS — UL Listed to US and Canadian safety standards for wet locations.

WARRANTY — 5-year limited warranty. Complete warranty terms located at:

www.acuitybrands.com/CustomerResources/Terms_and_conditions.aspx

Note: Actual performance may differ as a result of end-user environment and application.

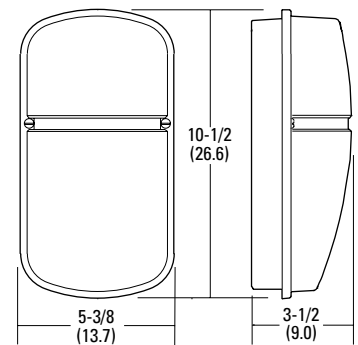
All values are design or typical values, measured under laboratory conditions at 25 °C.

Specifications subject to change without notice.

Outdoor General Purpose

OLWP

LED WALL PACK



All dimensions are inches (centimeters) unless otherwise indicated.

ORDERING INFORMATION

All configurations of this product are considered "standard" and have short lead times.

Example: OLWP LED P1 40K 120 PE DDB

| Series | Lumens / Color temperature (CCT) ¹ | Voltage | Control | Finish |
|----------|---|----------|---------------------|-----------------|
| OLWP LED | P1 40K 1414 lumens / 4000K | 120 120V | PE Button photocell | DDB Dark Bronze |

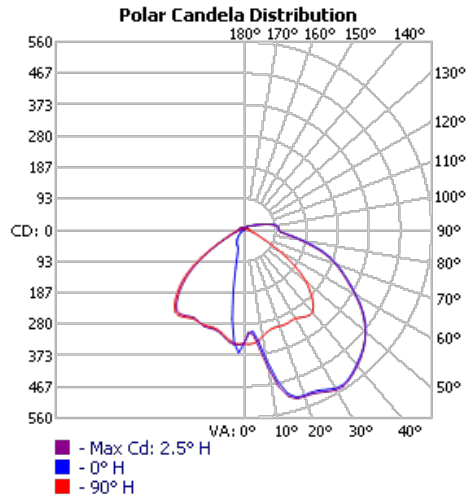
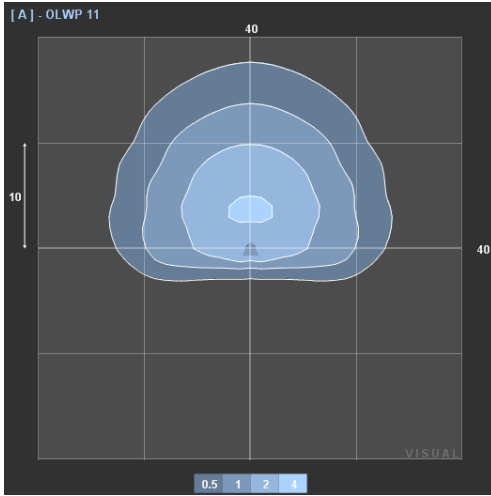
Notes

1 Nominal Correlated Color Temperature (CCT) per ANSI C78.377-2008.

PHOTOMETRIC DIAGRAMS

To see complete photometric reports or download .ies files for this product, visit the OLWP home page on www.Lithonia.com. Tested in accordance with IESNA LM-79 and LM-80 standards.

OLWP 11



| |
|----------------|
| Catalog Number |
| Notes |
| Type |

FEATURES & SPECIFICATIONS

INTENDED USE — The OLWP provides years of maintenance-free general illumination for commercial or residential outdoor applications such as driveways, patios, loading areas and warehouses.

CONSTRUCTION — Rugged cast-aluminum, corrosion-resistant rear mounting plate.

Impact resistant polycarbonate front cover/diffuser resists fading and cracking.

Driver operates at 120V.

Operating temperature -40°C to 40°C.

OPTICS — High-performance LEDs maintain 70% of light output at 50,000 hours of service. (LED lifespan based on IESNA LM-80-08 results and calculated per IESNA TM-21-11 methodology.)

Lenses are engineered for superior lighting distribution, uniformity and fixture spacing.

See Lighting Facts Labels for specific fixture performance.

INSTALLATION — Designed for wall mounting more than 4' above the ground. Mounts to a recessed junction box (by others).

LISTINGS — UL Listed to US and Canadian safety standards for wet locations.

WARRANTY — 5-year limited warranty. Complete warranty terms located at:

www.acuitybrands.com/CustomerResources/Terms_and_conditions.aspx

Note: Actual performance may differ as a result of end-user environment and application.

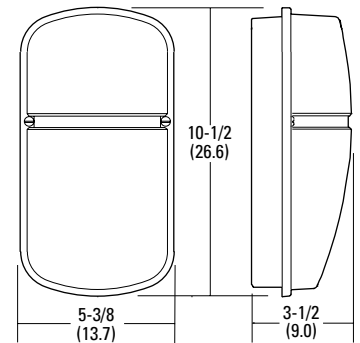
All values are design or typical values, measured under laboratory conditions at 25 °C.

Specifications subject to change without notice.

Outdoor General Purpose

OLWP

LED WALL PACK



All dimensions are inches (centimeters) unless otherwise indicated.

ORDERING INFORMATION

All configurations of this product are considered "standard" and have short lead times.

Example: OLWP LED P1 40K 120 PE DDB

| Series | Lumens / Color temperature (CCT) ¹ | Voltage | Control | Finish |
|----------|---|----------|---------------------|-----------------|
| OLWP LED | P1 40K 1414 lumens / 4000K | 120 120V | PE Button photocell | DDB Dark Bronze |

Notes

1 Nominal Correlated Color Temperature (CCT) per ANSI C78.377-2008.

PHOTOMETRIC DIAGRAMS

To see complete photometric reports or download .ies files for this product, visit the OLWP home page on www.Lithonia.com. Tested in accordance with IESNA LM-79 and LM-80 standards.

OLWP 11

