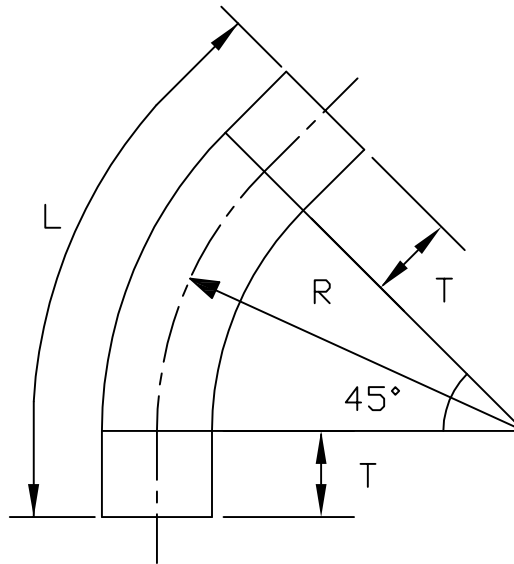


RIGID PVC CONDUIT  
CONDUIT RIGIDE EN PVC

45° SCH80 BEND PE / 45° SCH80 COUDE BU

ISSUE DATE: 2002 12 06  
DATE D'EMISSION:

SUPERSEDES: 2000 12 28  
REPLACE:



	CODE	Size Grosueur	L Ref.	R Ref.	T Ref.
KRALOY	# 068810 # 078631	16mm (0.5")	152mm (6.0")	102mm (4.0")	38mm (1.50")
KRALOY	# 068811 # 078632	21mm (0.75")	171mm (6.75")	114mm (4.50")	41mm (1.60")
KRALOY	# 068812 # 078633	27mm (1")	222mm (8.75")	146mm (5.75")	51mm (2.0")
KRALOY	# 068813 # 078634	35mm (1.25")	257mm (10.125")	184mm (7.25")	57mm (2.25")
KRALOY	# 068814 # 078635	41mm (1.50")	283mm (11.125")	210mm (8.25")	57mm (2.25")
KRALOY	# 068815 # 078636	53mm (2")	298mm (11.75")	241mm (9.50")	57mm (2.25")
KRALOY	# 068817 # 078638	78mm (3")	438mm (17.25")	330mm (13.0")	89mm (3.50")
KRALOY	# 068818 # 078639	103mm (4")	505mm (19.875")	406mm (16.0")	89mm (3.50")
KRALOY	# 068819 # 078640	129mm (5")	1016mm (40.0")	610mm (24.0")	267mm (10.50")
KRALOY	# 068820 # 078641	155mm (6")	1016mm (40.0")	762mm (30.0")	210mm (8.25")

#- UL APPROVED / APPROUVES

L-LENGTH OF PIPE BEFORE BENDING / LONGUEUR DU TUYAU AVANT D'ETRE COURBE