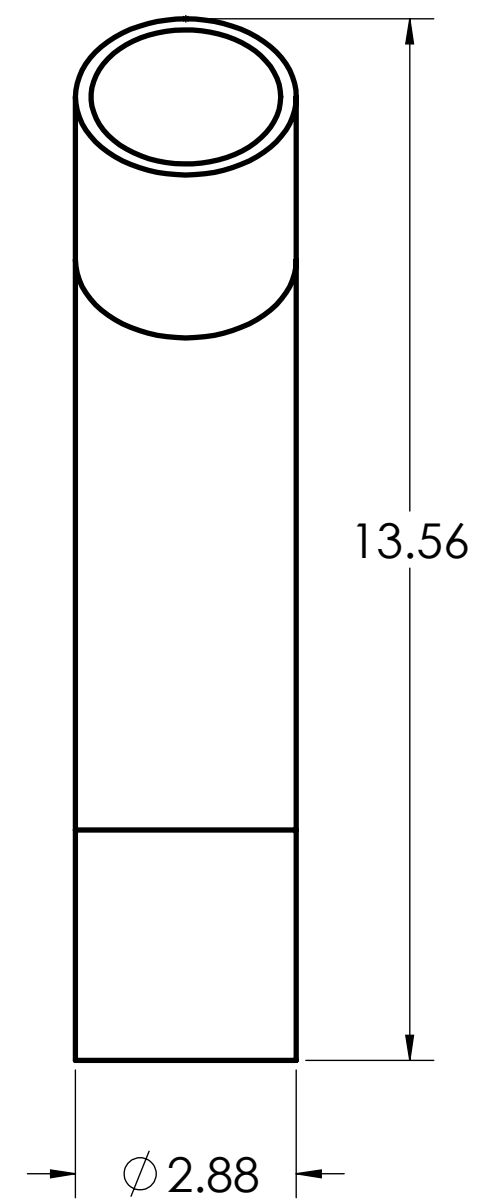
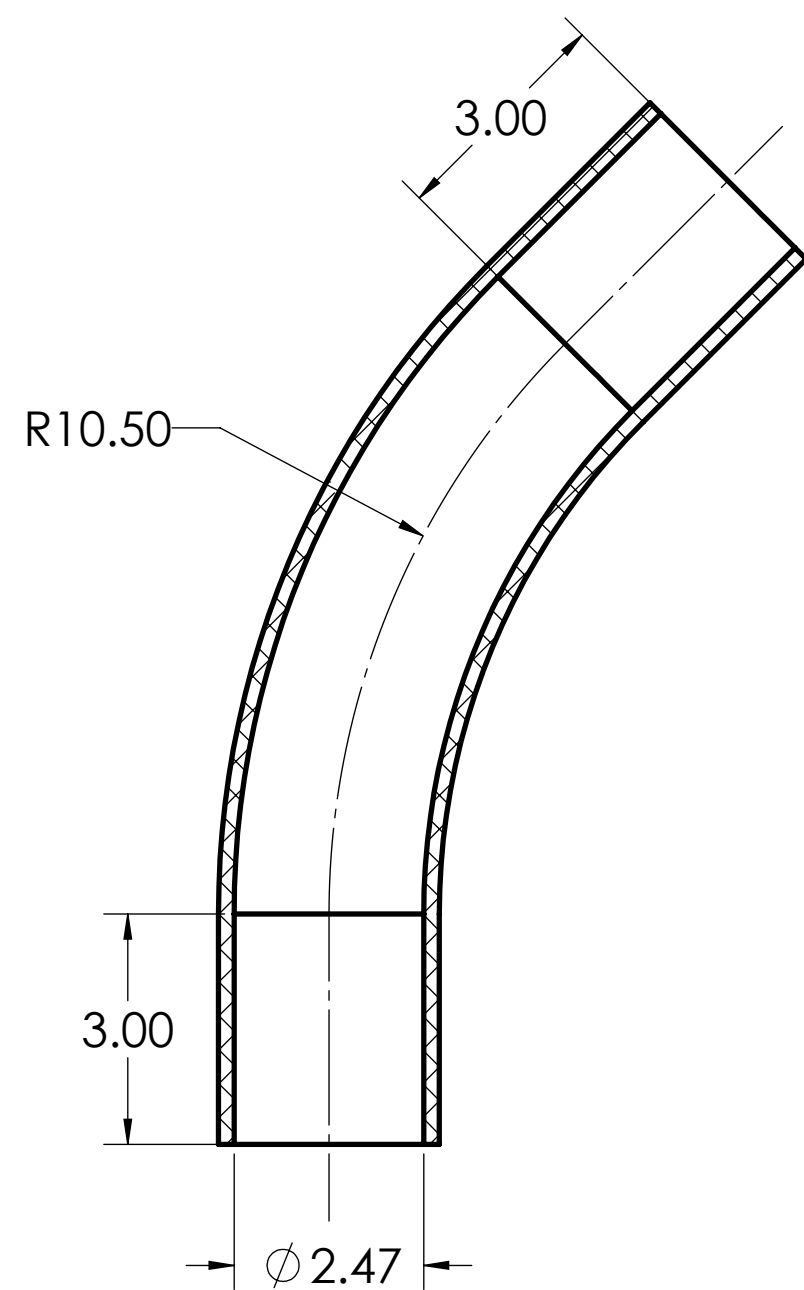
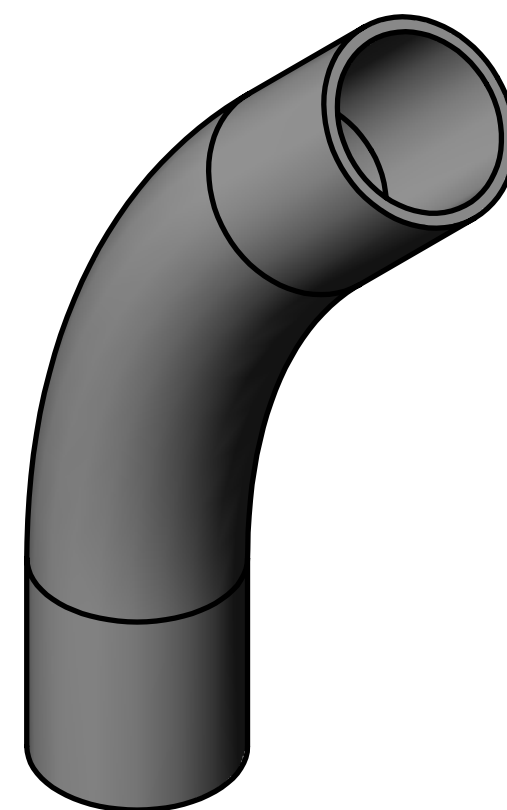
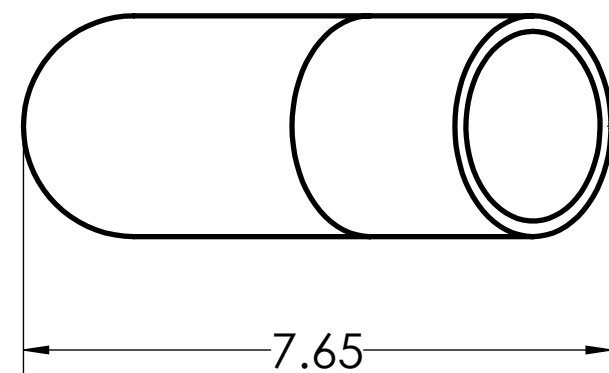


THIS ITEM IS FABRICATED AND AS SUCH MAY HAVE VARYING DIMENSIONS DUE TO DIFFERENT MANUFACTURING PROCESSES		
DIMENSIONS SHOWN ARE FOR REFERENCE AND ARE SUBJECT TO CHANGE WITHOUT NOTICE		
Kraloy, a Division of Multi Fittings Corp. under license		
PART DESCRIPTION 40STD2545 2 1/2"x45D PVC STD ELBOW SPxSP SCH40 KRALOY		
PRODUCT CODE: 078558	UNIT: INCHES UNLESS DUAL DIMENSION: INCH [METRIC]	SCALE: NTS
DRAWN: A.R.		



THIS ITEM IS FABRICATED AND AS SUCH MAY HAVE VARYING DIMENSIONS
DUE TO DIFFERENT MANUFACTURING PROCESSES

DIMENSIONS SHOWN ARE FOR REFERENCE AND ARE SUBJECT TO CHANGE
WITHOUT NOTICE

Kraloy, a Division of Multi Fittings Corp.
under license

PART DESCRIPTION
40STD2545 2 1/2"x45D PVC STD ELBOW SPxSP SCH40 KRALOY

PRODUCT CODE: 078558	UNIT: INCHES UNLESS	SCALE: NTS
	DUAL DIMENSION: INCH [METRIC]	

DRAWN:	A.R.
--------	------