

THIS ITEM IS FABRICATED AND AS SUCH MAY HAVE VARYING DIMENSIONS DUE TO DIFFERENT MANUFACTURING PROCESSES

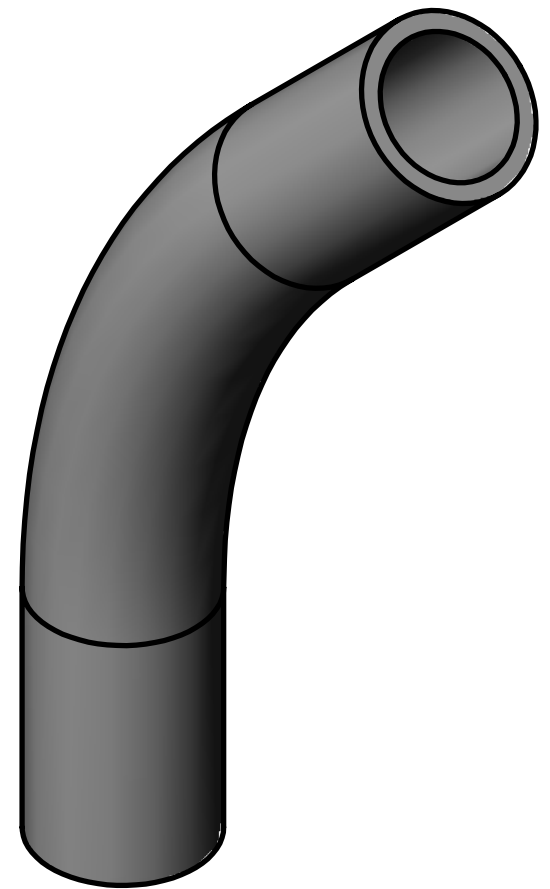
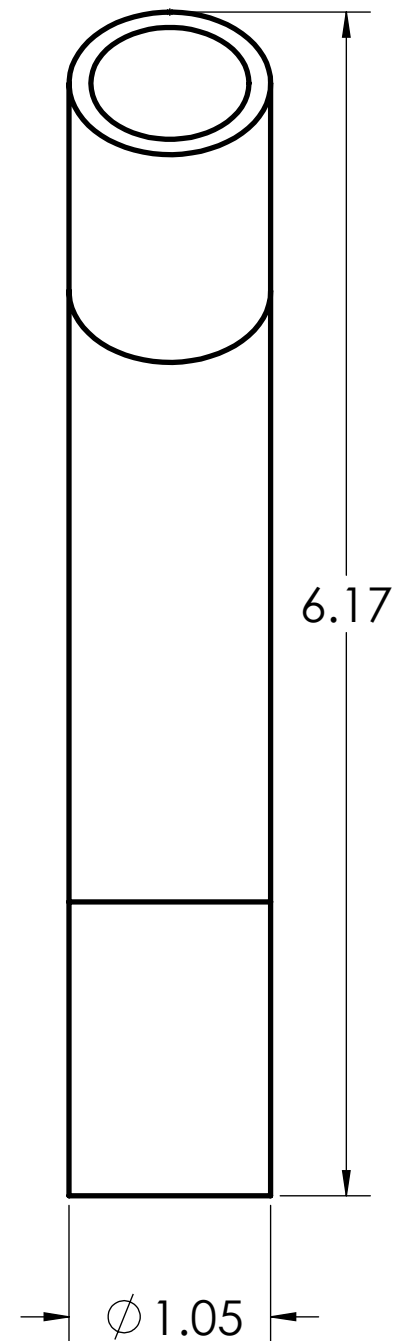
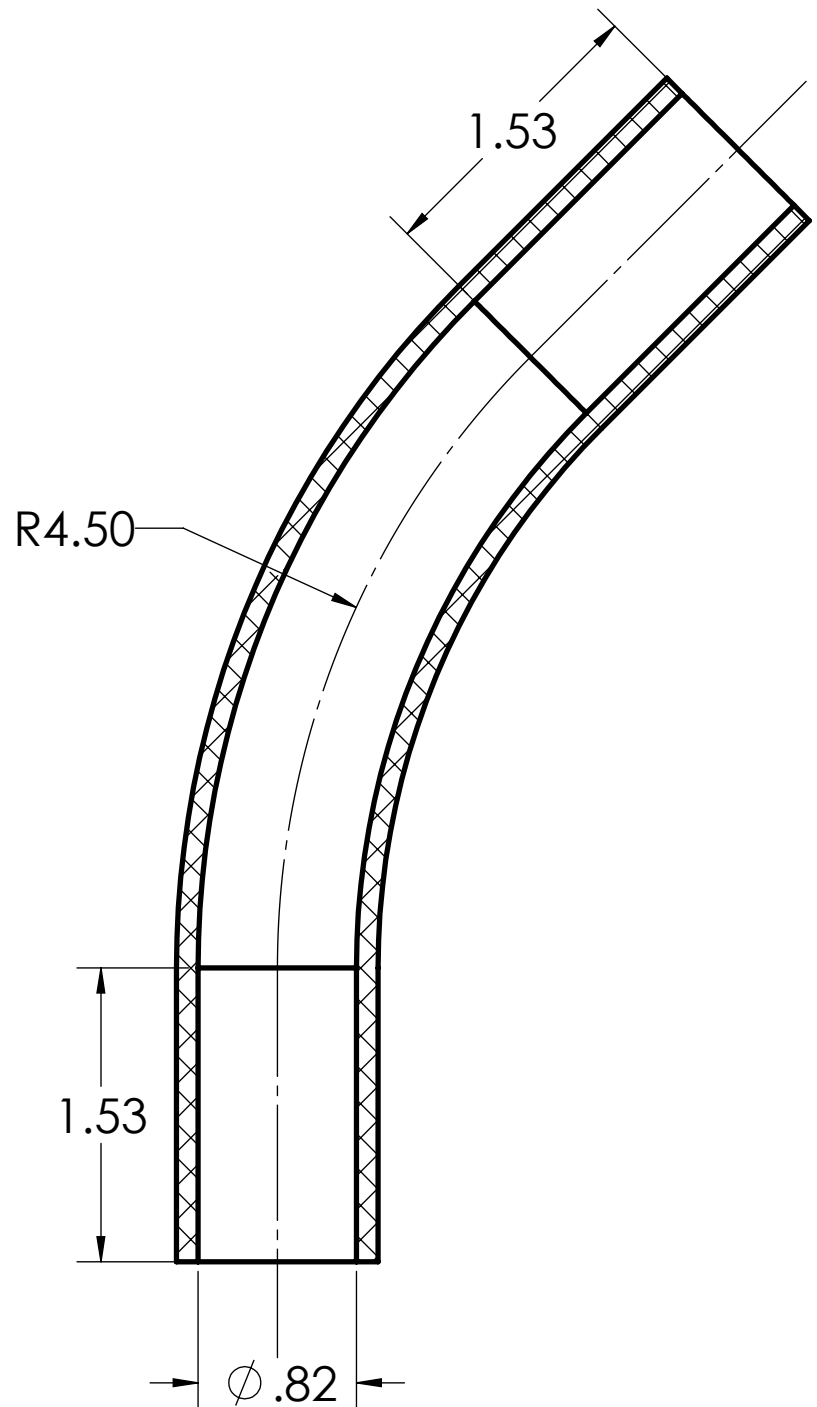
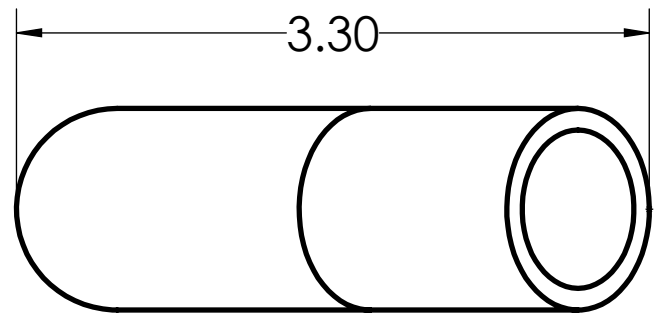
DIMENSIONS SHOWN ARE FOR REFERENCE AND ARE SUBJECT TO CHANGE WITHOUT NOTICE

Kraloy, a Division of Multi Fittings Corp.
under license

PART DESCRIPTION
40STD0745 3/4"x45D PVC STD ELBOW SPxSP SCH40 KRALOY

PRODUCT CODE: 078553	UNIT: INCHES UNLESS DUAL DIMENSION: INCH [METRIC]	SCALE: NTS
-------------------------	--	---------------

DRAWN: A.R.



THIS ITEM IS FABRICATED AND AS SUCH MAY HAVE VARYING DIMENSIONS DUE TO DIFFERENT MANUFACTURING PROCESSES

DIMENSIONS SHOWN ARE FOR REFERENCE AND ARE SUBJECT TO CHANGE WITHOUT NOTICE

Kraloy, a Division of Multi Fittings Corp.
under license

PART DESCRIPTION
40STD0745 3/4"x45D PVC STD ELBOW SPxSP SCH40 KRALOY

<i>PRODUCT CODE:</i> 078553	<i>UNIT: INCHES UNLESS DUAL DIMENSION: INCH [METRIC]</i>	<i>SCALE:</i> NTS
--------------------------------	--	----------------------

<i>DRAWN:</i> A.R.	
-----------------------	--