

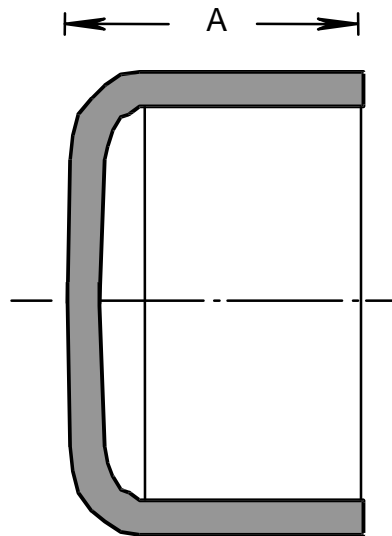
**RIGID PVC CONDUIT FITTINGS - KRALOY**

**ISSUE DATE:**  
**DATE D'EMISSION:** 2013 06 24

**CAPS**

**SUPERCEDES:**  
**REPLACE:** 2009 11 15

2



PRODUCT CODE	PART NUMBER	NOMINAL SIZE		A	
		(in)	(mm)	(in)	(mm)
078314	EC05	1/2	12	1.025	26
078315	EC07	3/4	20	1.630	41
078316	EC10	1	25	1.860	47
078317	EC12	1 1/4	32	1.960	50
078318	EC15	1 1/2	40	1.750	45
078319	EC20	2	50	2.445	62
078320	EC25	2 1/2	65	2.915	74
078321	EC30	3	75	3.050	77
078323	EC40	4	100	3.260	83
078325	EC60	6	150	5.180	132

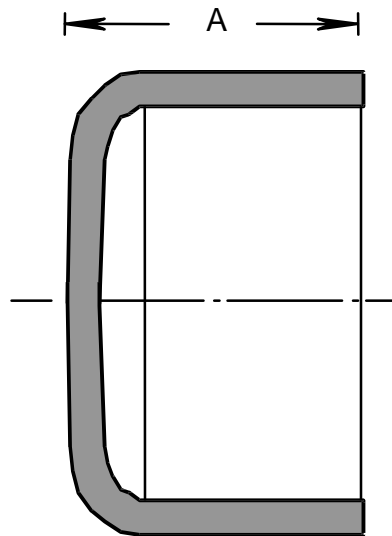
**RIGID PVC CONDUIT FITTINGS - KRALOY**

**ISSUE DATE:**  
**DATE D'EMISSION:** 2013 06 24

**CAPS**

**SUPERCEDES:**  
**REPLACE:** 2009 11 15

2



PRODUCT CODE	PART NUMBER	NOMINAL SIZE		A	
		(in)	(mm)	(in)	(mm)
078314	EC05	1/2	12	1.025	26
078315	EC07	3/4	20	1.630	41
078316	EC10	1	25	1.860	47
078317	EC12	1 1/4	32	1.960	50
078318	EC15	1 1/2	40	1.750	45
078319	EC20	2	50	2.445	62
078320	EC25	2 1/2	65	2.915	74
078321	EC30	3	75	3.050	77
078323	EC40	4	100	3.260	83
078325	EC60	6	150	5.180	132