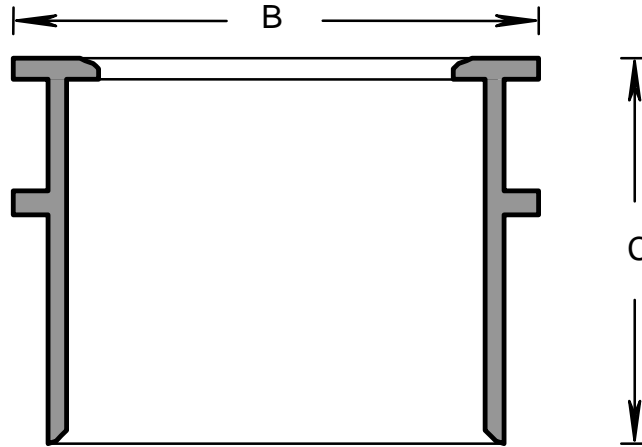


| PRODUCT CODE | PART NUMBER | NOMINAL SIZE |      | B     |      | C     |      |
|--------------|-------------|--------------|------|-------|------|-------|------|
|              |             | (in)         | (mm) | (in)  | (mm) | (in)  | (mm) |
| 078288       | MEB05       | 1/2          | 16   | 1.290 | 33   | 0.965 | 25   |
| 078289       | MEB07       | 3/4          | 21   | 1.500 | 38   | 1.050 | 27   |
| 078290       | MEB10       | 1            | 27   | 1.745 | 44   | 1.120 | 29   |
| 078291       | MEB12       | 1 1/4        | 35   | 2.085 | 53   | 1.200 | 31   |
| 078292       | MEB15       | 1 1/2        | 41   | 2.500 | 64   | 1.400 | 36   |
| 078293       | MEB20       | 2            | 53   | 3.050 | 77   | 1.440 | 37   |
| 078294       | MEB25       | 2 1/2        | 63   | 3.585 | 91   | 1.790 | 45   |
| 078295       | MEB30       | 3            | 78   | 3.846 | 98   | 1.920 | 49   |
| 078296       | MEB35       | 3 1/2        | 91   | 4.426 | 112  | 2.005 | 51   |
| 078297       | MEB40       | 4            | 103  | 4.900 | 124  | 2.190 | 56   |
| 078298       | MEB50       | 5            | 129  | 6.187 | 157  | 2.375 | 60   |
| 078299       | MEB60       | 6            | 155  | 7.187 | 183  | 2.562 | 65   |



| PRODUCT CODE | PART NUMBER | NOMINAL SIZE |      | B     |      | C     |      |
|--------------|-------------|--------------|------|-------|------|-------|------|
|              |             | (in)         | (mm) | (in)  | (mm) | (in)  | (mm) |
| 078288       | MEB05       | 1/2          | 16   | 1.290 | 33   | 0.965 | 25   |
| 078289       | MEB07       | 3/4          | 21   | 1.500 | 38   | 1.050 | 27   |
| 078290       | MEB10       | 1            | 27   | 1.745 | 44   | 1.120 | 29   |
| 078291       | MEB12       | 1 1/4        | 35   | 2.085 | 53   | 1.200 | 31   |
| 078292       | MEB15       | 1 1/2        | 41   | 2.500 | 64   | 1.400 | 36   |
| 078293       | MEB20       | 2            | 53   | 3.050 | 77   | 1.440 | 37   |
| 078294       | MEB25       | 2 1/2        | 63   | 3.585 | 91   | 1.790 | 45   |
| 078295       | MEB30       | 3            | 78   | 3.846 | 98   | 1.920 | 49   |
| 078296       | MEB35       | 3 1/2        | 91   | 4.426 | 112  | 2.005 | 51   |
| 078297       | MEB40       | 4            | 103  | 4.900 | 124  | 2.190 | 56   |
| 078298       | MEB50       | 5            | 129  | 6.187 | 157  | 2.375 | 60   |
| 078299       | MEB60       | 6            | 155  | 7.187 | 183  | 2.562 | 65   |