

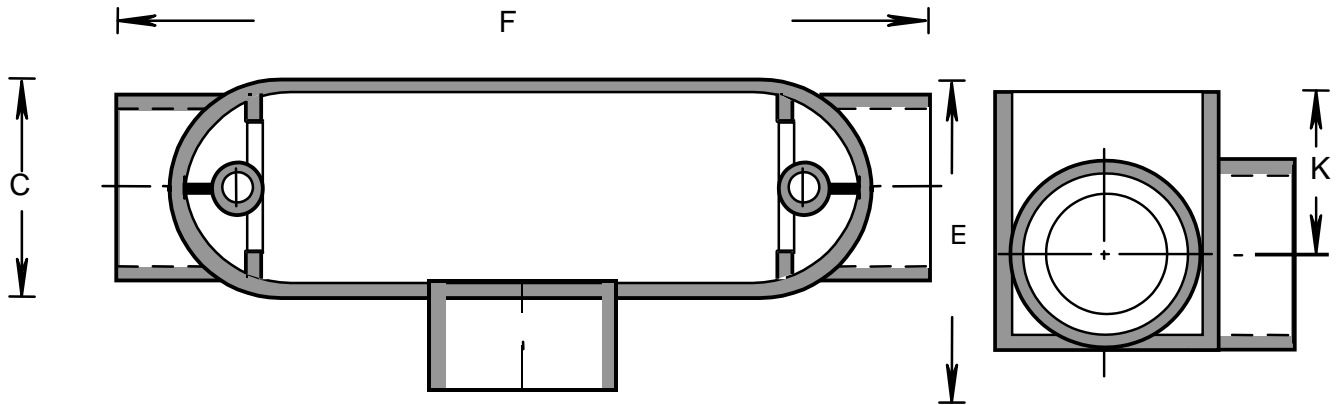
**RIGID PVC CONDUIT FITTINGS - KRALOY**

**ISSUE DATE:**  
**DATE D'EMISSION:** 2013 08 27

**TYPE "T" ACCESS FITTINGS**

**SUPERCEDES:**  
**REEMPLACE:** 2012 10 30

6



PRODUCT CODE	PART NUMBER	NOMINAL SIZE		C		E		F		K	
		(in)	(mm)	(in)	(mm)	(in)	(mm)	(in)	(mm)	(in)	(mm)
078176	T05	1/2	16	1.312	33	1.898	48	4.843	123	0.883	22
078177	T07	3/4	21	1.500	38	2.204	56	5.640	143	0.920	23
078178	T10	1	27	1.750	44	2.635	67	6.743	171	1.188	30
078179	T12	1 1/4	35	2.450	62	3.246	82	8.409	214	1.359	35
078180	T15	1 1/2	41	2.468	63	3.546	90	8.839	225	1.360	35
078181	T20	2	53	3.190	81	4.535	115	10.880	276	1.970	50
078182	T25	2 1/2	63	4.500	114	6.240	158	14.600	371	2.610	66
078183	T30	3	78	4.500	114	6.240	158	14.600	371	2.610	66
078184	T35	3 1/2	91	5.540	140	7.500	190	17.070	434	2.975	75
078185	T40	4	103	5.540	140	7.500	190	17.070	434	2.975	75
178044*	T05	1/2	16	1.312	33	1.898	48	4.843	123	0.883	22
178045*	T10	1	27	1.750	44	2.635	67	6.743	171	1.188	30
178054*	T12	1 1/4	35	2.450	62	3.246	82	8.409	214	1.359	35
178055*	T15	1 1/2	41	2.468	63	3.546	90	8.839	225	1.360	35
178115*	T07	3/4	21	1.500	38	2.204	56	5.640	143	0.920	23
178126*	T20	2	53	3.190	81	4.535	115	10.880	276	1.970	50

\* Bulk packed for 075

PRODUCT CODE	PART NUMBER	NOMINAL SIZE		FILL VOLUME		INSERT CODE	SCREW CODE	REDUCER CODE	COVER CODE	GASKET CODE
		(in)	(mm)	(cu.in)	(cu.cm)					
078176	T05	1/2	16	4.1	67.2		072563		093106	072421
078177	T07	3/4	21	7.5	123.0		072264		093107	072422
078178	T10	1	27	13.0	213.2		072264		093108	097952
078179	T12	1 1/4	35	26.5	434.6		072564		093109	097953
078180	T15	1 1/2	41	38.9	638.0		072264		093110	072736
078181	T20	2	53	70.8	1161.2		072412		097966	097955
078182	T25	2 1/2	63	178.0	2919.2	072419	072420	097558	097957	097961
078183	T30	3	78	178.0	2919.2	072419	072420		097957	097961
078184	T35	3 1/2	91	338.4	5549.8	072419	072420	097991	097959	097963
078185	T40	4	103	338.4	5549.8	072419	072420		097959	097963
178044*	T05	1/2	16	4.1	67.2		072563		093106	072421
178045*	T10	1	27	13.0	213.2		072264		093108	072735
178054*	T12	1 1/4	35	26.5	434.6		072564		093109	097953
178055*	T15	1 1/2	41	38.9	638.0		072264		093110	072736
178115*	T07	3/4	21	7.5	123.0		072264		093107	072422
178126*	T20	2	53	70.8	1161.2		072412		097966	097955

Bulk packed for 075

**MA**  
**XI**  
**MU**  
**M**  
**WI**  
**RE**  
**FIL**  
**L**

<b>1/2" + 3/4" + 1"</b> <b>(12 + 21 + 27)</b>		<b>1 1/4"</b> <b>(35)</b>	<b>1 1/2"</b> <b>(41)</b>	<b>2"</b> <b>(53)</b>	<b>2 1/2"</b> <b>(63)</b>	<b>3"</b> <b>(78)</b>	<b>3 1/2"</b> <b>(91)</b>	<b>4"</b> <b>(103)</b>
MAX. WIRE FILL #6 AWG CONDUCTORS OR SMALLER FOR 1": PULLING COMPOUND REQUIRED FOR #4 AWG	<b>U</b>	2.550" (64.8)	2.720" (69.1)	4.000" (101.6)	5.000" (127.0)	5.000" (127.0)	5.750" (146.1)	5.750" (146.1)
	<b>M</b>	#3	#2	#1	#2 /0	#2 /0	#4 /0	#4 /0
	<b>D</b>	2.680" (68.1)	3.315" (108.0)	4.250" (107.9)	5.125" (130.2)	5.125" (130.2)	6.250" (158.8)	6.250" (158.8)

U UL514 INVESTIGATION OF CONDUIT BODIES FOR THREE CONDUCTOR INSTALLATION WITH NO INVESTIGATION  
M MAXIMUM WIRE FILL  
MARKED ON CONDUIT BODY

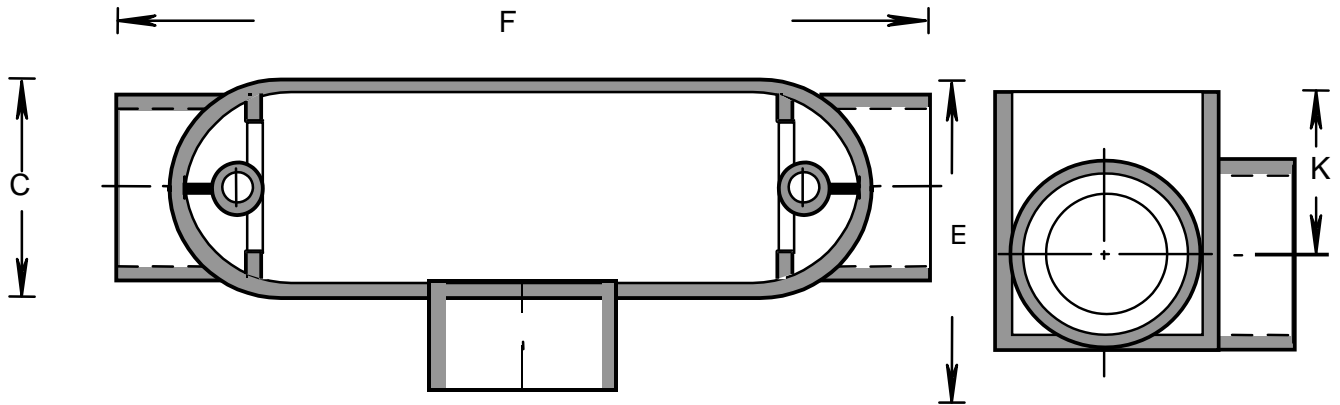
**RIGID PVC CONDUIT FITTINGS - KRALOY**

**ISSUE DATE:**  
**DATE D'EMISSION:** 2013 08 27

**TYPE "T" ACCESS FITTINGS**

**SUPERCEDES:**  
**REEMPLACE:** 2012 10 30

6



PRODUCT CODE	PART NUMBER	NOMINAL SIZE		C		E		F		K	
		(in)	(mm)	(in)	(mm)	(in)	(mm)	(in)	(mm)	(in)	(mm)
078176	T05	1/2	16	1.312	33	1.898	48	4.843	123	0.883	22
078177	T07	3/4	21	1.500	38	2.204	56	5.640	143	0.920	23
078178	T10	1	27	1.750	44	2.635	67	6.743	171	1.188	30
078179	T12	1 1/4	35	2.450	62	3.246	82	8.409	214	1.359	35
078180	T15	1 1/2	41	2.468	63	3.546	90	8.839	225	1.360	35
078181	T20	2	53	3.190	81	4.535	115	10.880	276	1.970	50
078182	T25	2 1/2	63	4.500	114	6.240	158	14.600	371	2.610	66
078183	T30	3	78	4.500	114	6.240	158	14.600	371	2.610	66
078184	T35	3 1/2	91	5.540	140	7.500	190	17.070	434	2.975	75
078185	T40	4	103	5.540	140	7.500	190	17.070	434	2.975	75
178044*	T05	1/2	16	1.312	33	1.898	48	4.843	123	0.883	22
178045*	T10	1	27	1.750	44	2.635	67	6.743	171	1.188	30
178054*	T12	1 1/4	35	2.450	62	3.246	82	8.409	214	1.359	35
178055*	T15	1 1/2	41	2.468	63	3.546	90	8.839	225	1.360	35
178115*	T07	3/4	21	1.500	38	2.204	56	5.640	143	0.920	23
178126*	T20	2	53	3.190	81	4.535	115	10.880	276	1.970	50

\* Bulk packed for 075

PRODUCT CODE	PART NUMBER	NOMINAL SIZE		FILL VOLUME		INSERT CODE	SCREW CODE	REDUCER CODE	COVER CODE	GASKET CODE
		(in)	(mm)	(cu.in)	(cu.cm)					
078176	T05	1/2	16	4.1	67.2		072563		093106	072421
078177	T07	3/4	21	7.5	123.0		072264		093107	072422
078178	T10	1	27	13.0	213.2		072264		093108	097952
078179	T12	1 1/4	35	26.5	434.6		072564		093109	097953
078180	T15	1 1/2	41	38.9	638.0		072264		093110	072736
078181	T20	2	53	70.8	1161.2		072412		097966	097955
078182	T25	2 1/2	63	178.0	2919.2	072419	072420	097558	097957	097961
078183	T30	3	78	178.0	2919.2	072419	072420		097957	097961
078184	T35	3 1/2	91	338.4	5549.8	072419	072420	097991	097959	097963
078185	T40	4	103	338.4	5549.8	072419	072420		097959	097963
178044*	T05	1/2	16	4.1	67.2		072563		093106	072421
178045*	T10	1	27	13.0	213.2		072264		093108	072735
178054*	T12	1 1/4	35	26.5	434.6		072564		093109	097953
178055*	T15	1 1/2	41	38.9	638.0		072264		093110	072736
178115*	T07	3/4	21	7.5	123.0		072264		093107	072422
178126*	T20	2	53	70.8	1161.2		072412		097966	097955

Bulk packed for 075

**MA**  
**XI**  
**MU**  
**M**  
**WI**  
**RE**  
**FIL**  
**L**

<b>1/2" + 3/4" + 1"</b> <b>(12 + 21 + 27)</b>		<b>1 1/4"</b> <b>(35)</b>	<b>1 1/2"</b> <b>(41)</b>	<b>2"</b> <b>(53)</b>	<b>2 1/2"</b> <b>(63)</b>	<b>3"</b> <b>(78)</b>	<b>3 1/2"</b> <b>(91)</b>	<b>4"</b> <b>(103)</b>
MAX. WIRE FILL #6 AWG CONDUCTORS OR SMALLER FOR 1": PULLING COMPOUND REQUIRED FOR #4 AWG	<b>U</b>	2.550" (64.8)	2.720" (69.1)	4.000" (101.6)	5.000" (127.0)	5.000" (127.0)	5.750" (146.1)	5.750" (146.1)
	<b>M</b>	#3	#2	#1	#2 /0	#2 /0	#4 /0	#4 /0
	<b>D</b>	2.680" (68.1)	3.315" (108.0)	4.250" (107.9)	5.125" (130.2)	5.125" (130.2)	6.250" (158.8)	6.250" (158.8)

U UL514 INVESTIGATION OF CONDUIT BODIES FOR THREE CONDUCTOR INSTALLATION WITH NO INVESTIGATION  
M MAXIMUM WIRE FILL  
MARKED ON CONDUIT BODY