

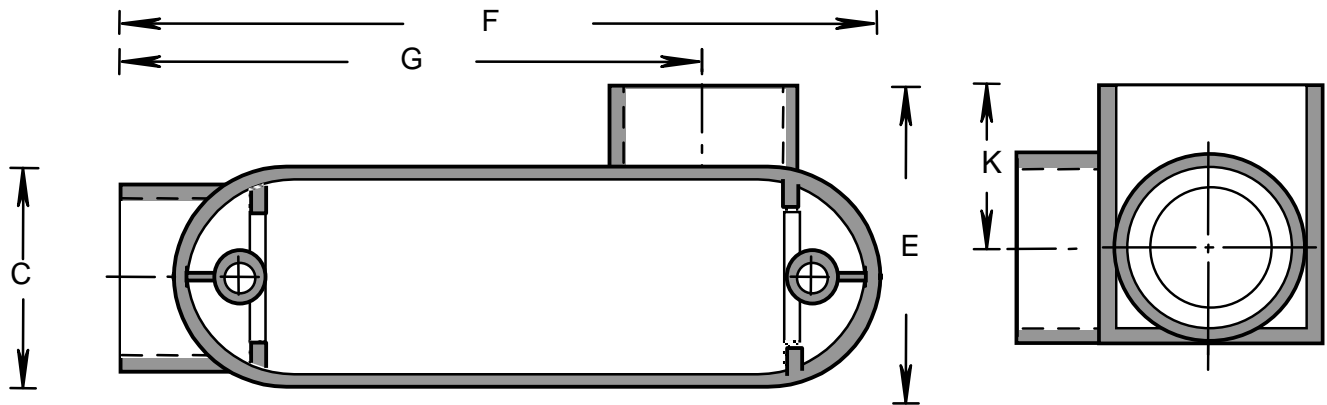
CSA, ULI

RIGID PVC CONDUIT FITTINGS - KRALOY

ISSUE DATE:
DATE D'EMISSION: 2001 06 30

TYPE "LR" ACCESS FITTINGS

SUPERCEDES:
REPLACE: 2000 12 05



PRODUCT CODE	PART NUMBER	NOMINAL SIZE		C		E		F		G	
		(in)	(mm)	(in)	(mm)	(in)	(mm)	(in)	(mm)	(in)	(mm)
078164	LR05	1/2	16	1.312	33	1.898	48	4.285	109	3.290	84
078165	LR07	3/4	21	1.500	38	2.204	56	4.970	126	3.980	101
078166	LR10	1	27	1.750	44	2.635	67	5.900	150	4.656	118
078167	LR12	1 1/4	35	2.450	62	3.246	82	7.650	194	6.060	154
078168	LR15	1 1/2	41	2.468	63	3.546	90	7.812	198	6.180	157
078169	LR20	2	53	3.062	78	4.176	106	9.970	253	8.055	205
078170	LR25	2 1/2	63	4.625	117	5.886	150	13.750	349	11.843	301
078171	LR30	3	78	4.625	117	5.918	150	14.250	362	11.843	301
078172	LR35	3 1/2	91	5.445	138	7.178	182	15.500	394	12.750	324
078173	LR40	4	103	5.445	138	7.178	182	15.500	394	12.750	324

PRODUCT CODE	PART NUMBER	NOMINAL SIZE		K	
		(in)	(mm)	(in)	(mm)
078164	LR05	1/2	16	0.883	22
078165	LR07	3/4	21	0.920	23
078166	LR10	1	27	1.188	30
078167	LR12	1 1/4	35	1.359	35
078168	LR15	1 1/2	41	1.360	35
078169	LR20	2	53	2.016	51
078170	LR25	2 1/2	63	2.451	62
078171	LR30	3	78	2.451	62
078172	LR35	3 1/2	91	2.891	73
078173	LR40	4	103	2.891	73

CSA, ULI

RIGID PVC CONDUIT FITTINGS - KRALOY

TYPE "LR" ACCESS FITTINGS

ISSUE DATE:
DATE D'EMISSION: 2001 06 30

SUPERCEDES:
REPLACE: 2000 12 05

PRODUCT CODE	PART NUMBER	NOMINAL SIZE		FILL VOLUME		INSERT CODE	SCREW CODE	REDUCER CODE	COVER CODE	GASKET CODE
		(in)	(mm)	(cu.in)	(cu.cm)					
078164	LR05	1/2	16	4.2	68.9		072563		093106	072421
078165	LR07	3/4	21	7.6	124.6		072564		093107	072422
078166	LR10	1	27	13.1	214.8		072564		093108	072735
078167	LR12	1 1/4	35	26.6	436.2		072564		093109	072736
078168	LR15	1 1/2	41	39.0	639.6		072564		093110	072736
078169	LR20	2	53	70.9	1162.8		072412		093111	072738
078170	LR25	2 1/2	63	178.5	2927.4	072419	072420	097558	093112	072739
078171	LR30	3	78	178.2	2922.5	072419	072420		093113	072739
078172	LR35	3 1/2	91	338.6	5553.0	072419	072420	097991	093113	072740
078173	LR40	4	103	338.6	5553.0	072419	072420		093114	072740

MAXIMUM WIRE FILL

1/2" + 3/4" + 1" (12 + 21 + 27)		1 1/4" (35)	1 1/2" (41)	2" (53)	2 1/2" (63)	3" (78)	3 1/2" (91)	4" (103)
MAX. WIRE FILL #6 AWG CONDUCTORS OR SMALLER FOR 1": PULLING COMPOUND REQUIRED FOR #4 AWG	U	2.720" (69.1)	4.480" (113.8)	5.750" (146.1)	7.420" (188.5)	7.420" (188.5)	8.940" (227.1)	7.940" (201.7)
	M	#2	#1 /0	#4 /0	#300	#300	#350	#350
	D	4.750" (120.7)	5.500" (139.7)	6.875" (174.6)	7.750" (196.9)	7.750" (196.9)	9.500" (241.3)	9.500" (241.3)

U UL514 INVESTIGATION OF CONDUIT BODIES FOR THREE CONDUCTOR INSTALLATION WITH NO INVESTIGATION

M MAXIMUM WIRE FILL MARKED ON CONDUIT BODY

D DISTANCE BETWEEN HUBS ON CONDUIT BODY

Filename: KRALOY-08.doc
Directory: \\Bersrvbdc\bergen\QC MANUAL
Template: C:\Documents and Settings\joelau\Application
Data\Microsoft\Templates\Normal.dot
Title: SOCKET DIMENSION
Subject:
Author: joe lau
Keywords:
Comments:
Creation Date: 1/2/2001 8:22 AM
Change Number: 6
Last Saved On: 6/28/2001 11:47 AM
Last Saved By: Joe Lau
Total Editing Time: 6 Minutes
Last Printed On: 8/8/2005 12:37 PM
As of Last Complete Printing
Number of Pages: 2
Number of Words: 368 (approx.)
Number of Characters: 2,103 (approx.)

CSA, ULI

RIGID PVC CONDUIT FITTINGS - KRALOY

ISSUE DATE:

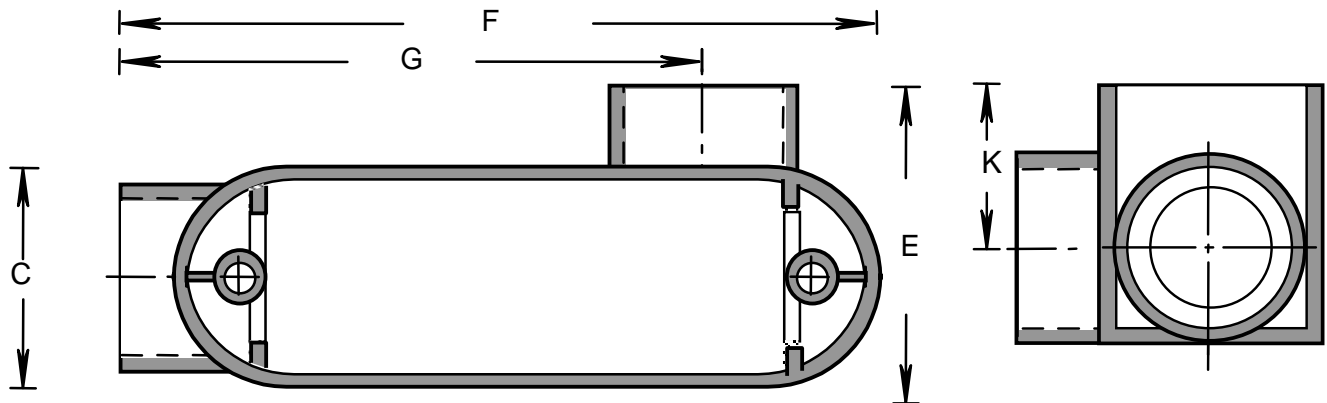
DATE D'EMISSION: 2001 06 30

TYPE "LR" ACCESS FITTINGS

SUPERCEDES:

REPLACE:

2000 12 05



PRODUCT CODE	PART NUMBER	NOMINAL SIZE		C		E		F		G	
		(in)	(mm)	(in)	(mm)	(in)	(mm)	(in)	(mm)	(in)	(mm)
078164	LR05	1/2	16	1.312	33	1.898	48	4.285	109	3.290	84
078165	LR07	3/4	21	1.500	38	2.204	56	4.970	126	3.980	101
078166	LR10	1	27	1.750	44	2.635	67	5.900	150	4.656	118
078167	LR12	1 1/4	35	2.450	62	3.246	82	7.650	194	6.060	154
078168	LR15	1 1/2	41	2.468	63	3.546	90	7.812	198	6.180	157
078169	LR20	2	53	3.062	78	4.176	106	9.970	253	8.055	205
078170	LR25	2 1/2	63	4.625	117	5.886	150	13.750	349	11.843	301
078171	LR30	3	78	4.625	117	5.918	150	14.250	362	11.843	301
078172	LR35	3 1/2	91	5.445	138	7.178	182	15.500	394	12.750	324
078173	LR40	4	103	5.445	138	7.178	182	15.500	394	12.750	324

PRODUCT CODE	PART NUMBER	NOMINAL SIZE		K	
		(in)	(mm)	(in)	(mm)
078164	LR05	1/2	16	0.883	22
078165	LR07	3/4	21	0.920	23
078166	LR10	1	27	1.188	30
078167	LR12	1 1/4	35	1.359	35
078168	LR15	1 1/2	41	1.360	35
078169	LR20	2	53	2.016	51
078170	LR25	2 1/2	63	2.451	62
078171	LR30	3	78	2.451	62
078172	LR35	3 1/2	91	2.891	73
078173	LR40	4	103	2.891	73

CSA, ULI

RIGID PVC CONDUIT FITTINGS - KRALOY

ISSUE DATE:
DATE D'EMISSION: 2001 06 30

TYPE "LR" ACCESS FITTINGS

SUPERCEDES:
REPLACE: 2000 12 05

PRODUCT CODE	PART NUMBER	NOMINAL SIZE		FILL VOLUME		INSERT CODE	SCREW CODE	REDUCER CODE	COVER CODE	GASKET CODE
		(in)	(mm)	(cu.in)	(cu.cm)					
078164	LR05	1/2	16	4.2	68.9		072563		093106	072421
078165	LR07	3/4	21	7.6	124.6		072564		093107	072422
078166	LR10	1	27	13.1	214.8		072564		093108	072735
078167	LR12	1 1/4	35	26.6	436.2		072564		093109	072736
078168	LR15	1 1/2	41	39.0	639.6		072564		093110	072736
078169	LR20	2	53	70.9	1162.8		072412		093111	072738
078170	LR25	2 1/2	63	178.5	2927.4	072419	072420	097558	093112	072739
078171	LR30	3	78	178.2	2922.5	072419	072420		093113	072739
078172	LR35	3 1/2	91	338.6	5553.0	072419	072420	097991	093113	072740
078173	LR40	4	103	338.6	5553.0	072419	072420		093114	072740

MAXIMUM WIRE FILL

1/2" + 3/4" + 1" (12 + 21 + 27)		1 1/4" (35)	1 1/2" (41)	2" (53)	2 1/2" (63)	3" (78)	3 1/2" (91)	4" (103)
MAX. WIRE FILL #6 AWG CONDUCTORS OR SMALLER FOR 1": PULLING COMPOUND REQUIRED FOR #4 AWG	U	2.720" (69.1)	4.480" (113.8)	5.750" (146.1)	7.420" (188.5)	7.420" (188.5)	8.940" (227.1)	7.940" (201.7)
	M	#2	#1 /0	#4 /0	#300	#300	#350	#350
	D	4.750" (120.7)	5.500" (139.7)	6.875" (174.6)	7.750" (196.9)	7.750" (196.9)	9.500" (241.3)	9.500" (241.3)

U UL514 INVESTIGATION OF CONDUIT BODIES FOR THREE CONDUCTOR INSTALLATION WITH NO INVESTIGATION

M MAXIMUM WIRE FILL MARKED ON CONDUIT BODY

D DISTANCE BETWEEN HUBS ON CONDUIT BODY

Filename: KRALOY-08.doc
Directory: \\Bersrvbdc\bergen\QC MANUAL
Template: C:\Documents and Settings\joelau\Application
Data\Microsoft\Templates\Normal.dot
Title: SOCKET DIMENSION
Subject:
Author: joe lau
Keywords:
Comments:
Creation Date: 1/2/2001 8:22 AM
Change Number: 6
Last Saved On: 6/28/2001 11:47 AM
Last Saved By: Joe Lau
Total Editing Time: 6 Minutes
Last Printed On: 8/8/2005 12:37 PM
As of Last Complete Printing
Number of Pages: 2
Number of Words: 368 (approx.)
Number of Characters: 2,103 (approx.)