

CSA, ULI

RIGID PVC CONDUIT FITTINGS - KRALOY

ISSUE DATE:

DATE D'EMISSION: 2004 04 30

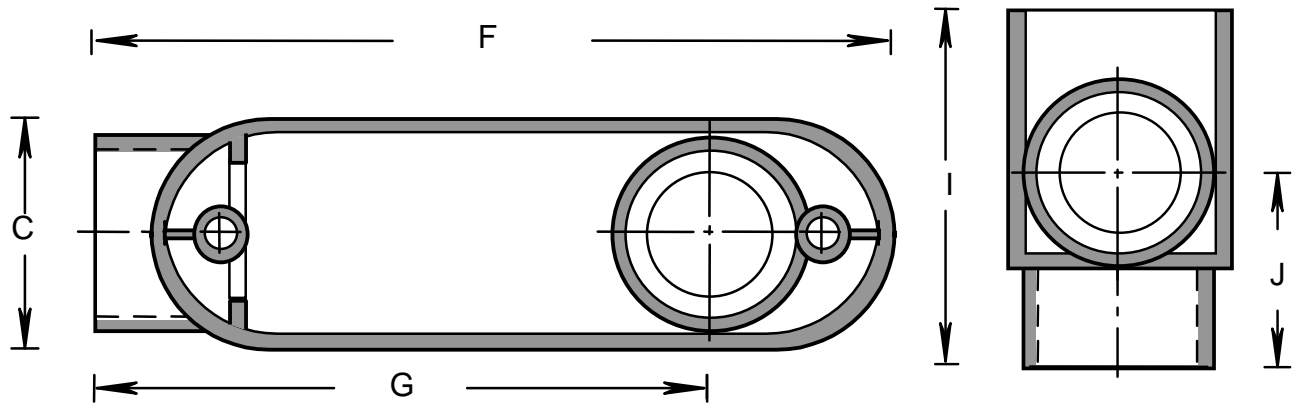
TYPE "LB" ACCESS FITTINGS

SUPERCEDES:

REPLACE:

2003 11 15

5



| PRODUCT CODE | PART NUMBER | NOMINAL SIZE | | C | | F | | G | | I | | J | |
|--------------|-------------|--------------|------|-------|------|--------|------|--------|------|-------|------|-------|------|
| | | (in) | (mm) | (in) | (mm) | (in) | (mm) | (in) | (mm) | (in) | (mm) | (in) | (mm) |
| 078140 | LB05 | 1/2 | 16 | 1.312 | 33 | 4.285 | 109 | 3.290 | 84 | 2.058 | 52 | 1.175 | 30 |
| 078141 | LB07 | 3/4 | 21 | 1.500 | 38 | 4.970 | 126 | 3.980 | 101 | 2.295 | 58 | 1.375 | 35 |
| 078142 | LB10 | 1 | 27 | 1.750 | 44 | 5.900 | 150 | 4.656 | 118 | 2.853 | 72 | 1.665 | 42 |
| 078143 | LB12 | 1 1/4 | 35 | 2.450 | 62 | 7.650 | 194 | 6.060 | 154 | 3.269 | 83 | 1.910 | 49 |
| 078144 | LB15 | 1 1/2 | 41 | 2.468 | 63 | 7.812 | 198 | 6.180 | 157 | 3.547 | 90 | 2.187 | 56 |
| 078145 | LB20 | 2 | 53 | 3.062 | 78 | 9.970 | 253 | 8.055 | 205 | 4.516 | 115 | 2.500 | 64 |
| 078146 | LB25 | 2 1/2 | 63 | 4.500 | 114 | 13.630 | 346 | 9.825 | 277 | 6.240 | 159 | 4.150 | 105 |
| 078147 | LB30 | 3 | 78 | 4.500 | 114 | 13.630 | 346 | 10.900 | 277 | 6.240 | 159 | 3.630 | 92 |
| 078148 | LB35 | 3 1/2 | 91 | 5.540 | 141 | 16.000 | 406 | 11.465 | 291 | 7.500 | 191 | 4.525 | 115 |
| 078149 | LB40 | 4 | 103 | 5.540 | 141 | 16.000 | 406 | 11.465 | 291 | 7.500 | 191 | 4.525 | 115 |
| 178038* | LB05 | 1/2 | 16 | 1.312 | 33 | 4.285 | 109 | 3.290 | 84 | 2.058 | 52 | 1.175 | 30 |
| 178039* | LB07 | 3/4 | 21 | 1.500 | 38 | 4.970 | 126 | 3.980 | 101 | 2.295 | 58 | 1.375 | 35 |
| 178040* | LB10 | 1 | 27 | 1.750 | 44 | 5.900 | 150 | 4.656 | 118 | 2.853 | 72 | 1.665 | 42 |
| 178041* | LB12 | 1 1/4 | 35 | 2.450 | 62 | 7.650 | 194 | 6.060 | 154 | 3.269 | 83 | 1.910 | 49 |
| 178042* | LB15 | 1 1/2 | 41 | 2.468 | 63 | 7.812 | 198 | 6.180 | 157 | 3.547 | 90 | 2.187 | 56 |
| 178043* | LB20 | 2 | 53 | 3.062 | 78 | 9.970 | 253 | 8.055 | 205 | 4.516 | 115 | 2.500 | 64 |
| 178117* | LB25 | 2 1/2 | 63 | 4.500 | 114 | 13.630 | 346 | 9.825 | 277 | 6.240 | 159 | 4.150 | 105 |

* Bulk packed for 075

CSA, ULI

RIGID PVC CONDUIT FITTINGS - KRALOY

TYPE "LB" ACCESS FITTINGS

ISSUE DATE:
DATE D'EMISSION: 2004 04 30

SUPERCEDES:
REPLACE: 2003 11 15

5

| PRODUCT CODE | PART NUMBER | NOMINAL SIZE | | FILL VOLUME | | INSERT CODE | SCREW CODE | REDUCER CODE | COVER CODE | GASKET CODE |
|-----------------|----------------|--------------|------|-------------|---------|----------------|---------------|-----------------|---------------|----------------|
| | | (in) | (mm) | (cu.in) | (cu.cm) | | | | | |
| 078140 | LB05 | 1/2 | 16 | 4.3 | 71 | | 072563 | | 093106 | 072421 |
| 078141 | LB07 | 3/4 | 21 | 6.8 | 111 | | 072564 | | 093107 | 072422 |
| 078142 | LB10 | 1 | 27 | 11 | 180 | | 072564 | | 093108 | 072735 |
| 078143 | LB12 | 1 1/4 | 35 | 28 | 459 | | 072564 | | 093109 | 072736 |
| 078144 | LB15 | 1 1/2 | 41 | 28 | 459 | | 072564 | | 093110 | 072736 |
| 078145 | LB20 | 2 | 53 | 66 | 1082 | | 072412 | | 093111 | 072738 |
| 078146 | LB25 | 2 1/2 | 63 | 182 | 29767 | 072549 | 072516 | 097558 | 097957 | 097961 |
| 078147 | LB30 | 3 | 78 | 178 | 2923 | 072549 | 072516 | | 097956 | 097961 |
| 078148 | LB35 | 3 1/2 | 91 | 339 | 5553 | 072549 | 072516 | 097991 | 097958 | 097963 |
| 078149 | LB40 | 4 | 103 | 339 | 5553 | 072549 | 072516 | | 097958 | 097963 |
| 178038* | LB05 | 1/2 | 16 | 4.3 | 71 | | 072563 | | 093106 | 072421 |
| 178039* | LB07 | 3/4 | 21 | 6.8 | 111 | | 072564 | | 093107 | 072422 |
| 178040* | LB10 | 1 | 27 | 11 | 180 | | 072564 | | 093108 | 072735 |
| 178041* | LB12 | 1 1/4 | 35 | 28 | 459 | | 072564 | | 093109 | 072736 |
| 178042* | LB15 | 1 1/2 | 41 | 28 | 459 | | 072564 | | 093110 | 072736 |
| 178043* | LB20 | 2 | 53 | 66 | 1082 | | 072412 | | 093111 | 072738 |
| 178117* | LB25 | 2 1/2 | 63 | 182 | 29767 | 072549 | 072516 | 097558 | 097957 | 097961 |

* Bulk packed for 075

MAXIMUM WIRE FILL

| 1/2" + 3/4" + 1" (12 + 21 + 27) | | 1 1/4" (35) | 1 1/2" (41) | 2" (53) | 2 1/2" (63) | 3" (78) | 3 1/2" (91) | 4" (103) |
|---|----------------------|------------------------------|------------------------------|----------------------------|------------------------------|---------------------------|------------------------------|---------------------------|
| MAX. WIRE FILL #6 AWG CONDUCTORS OR SMALLER FOR 1": PULLING COMPOUND REQUIRED FOR #4 AWG | U | 4.500" (114.3) | 5.000" (127.0) | 5.880" (149.4) | 5.750" (146.1) | 8.940" (227.1) | 8.940" (227.1) | 7.940" (201.7) |
| | M D | #2 4.819 (122.4) | #0 5.500" (139.7) | #4 /0 6.567" (166.8) | #4 /0 6.250" (158.8) | #350 9.500" (241.3) | #350 9.500" (241.3) | #350 9.500" (241.3) |

U UL514 INVESTIGATION OF CONDUIT BODIES FOR THREE CONDUCTOR INSTALLATION WITH NO INVESTIGATION

M MAXIMUM WIRE FILL MARKED ON CONDUIT BODY

D DISTANCE BETWEEN HUBS ON CONDUIT BODY

Filename: KRALOY-06.doc
Directory: \\Bersrvbdc\bergen\QC MANUAL
Template: C:\Documents and Settings\joelau\Application
Data\Microsoft\Templates\Normal.dot
Title: SOCKET DIMENSION
Subject:
Author: joe lau
Keywords:
Comments:
Creation Date: 12/22/2000 9:28 AM
Change Number: 17
Last Saved On: 3/31/2004 10:58 AM
Last Saved By: Joe Lau
Total Editing Time: 42 Minutes
Last Printed On: 8/8/2005 12:38 PM
As of Last Complete Printing
Number of Pages: 2
Number of Words: 462 (approx.)
Number of Characters: 2,634 (approx.)

CSA, ULI

RIGID PVC CONDUIT FITTINGS - KRALOY

TYPE "LB" ACCESS FITTINGS

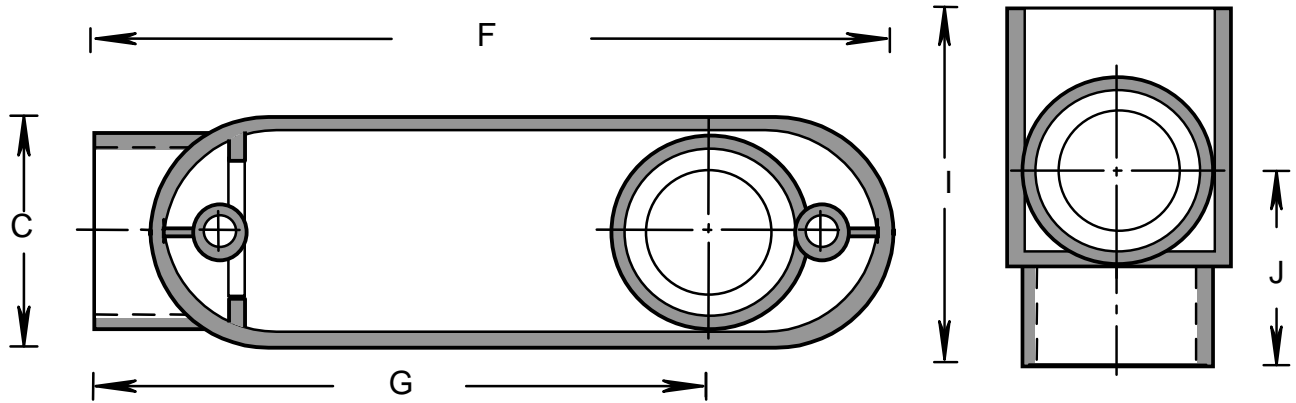
ISSUE DATE:

DATE D'EMISSION: 2004 04 30

SUPERCEDES:

REPLACE: 2003 11 15

5



| PRODUCT CODE | PART NUMBER | NOMINAL SIZE | | C | | F | | G | | I | | J | |
|--------------|-------------|--------------|------|-------|------|--------|------|--------|------|-------|------|-------|------|
| | | (in) | (mm) | (in) | (mm) | (in) | (mm) | (in) | (mm) | (in) | (mm) | (in) | (mm) |
| 078140 | LB05 | 1/2 | 16 | 1.312 | 33 | 4.285 | 109 | 3.290 | 84 | 2.058 | 52 | 1.175 | 30 |
| 078141 | LB07 | 3/4 | 21 | 1.500 | 38 | 4.970 | 126 | 3.980 | 101 | 2.295 | 58 | 1.375 | 35 |
| 078142 | LB10 | 1 | 27 | 1.750 | 44 | 5.900 | 150 | 4.656 | 118 | 2.853 | 72 | 1.665 | 42 |
| 078143 | LB12 | 1 1/4 | 35 | 2.450 | 62 | 7.650 | 194 | 6.060 | 154 | 3.269 | 83 | 1.910 | 49 |
| 078144 | LB15 | 1 1/2 | 41 | 2.468 | 63 | 7.812 | 198 | 6.180 | 157 | 3.547 | 90 | 2.187 | 56 |
| 078145 | LB20 | 2 | 53 | 3.062 | 78 | 9.970 | 253 | 8.055 | 205 | 4.516 | 115 | 2.500 | 64 |
| 078146 | LB25 | 2 1/2 | 63 | 4.500 | 114 | 13.630 | 346 | 9.825 | 277 | 6.240 | 159 | 4.150 | 105 |
| 078147 | LB30 | 3 | 78 | 4.500 | 114 | 13.630 | 346 | 10.900 | 277 | 6.240 | 159 | 3.630 | 92 |
| 078148 | LB35 | 3 1/2 | 91 | 5.540 | 141 | 16.000 | 406 | 11.465 | 291 | 7.500 | 191 | 4.525 | 115 |
| 078149 | LB40 | 4 | 103 | 5.540 | 141 | 16.000 | 406 | 11.465 | 291 | 7.500 | 191 | 4.525 | 115 |
| 178038* | LB05 | 1/2 | 16 | 1.312 | 33 | 4.285 | 109 | 3.290 | 84 | 2.058 | 52 | 1.175 | 30 |
| 178039* | LB07 | 3/4 | 21 | 1.500 | 38 | 4.970 | 126 | 3.980 | 101 | 2.295 | 58 | 1.375 | 35 |
| 178040* | LB10 | 1 | 27 | 1.750 | 44 | 5.900 | 150 | 4.656 | 118 | 2.853 | 72 | 1.665 | 42 |
| 178041* | LB12 | 1 1/4 | 35 | 2.450 | 62 | 7.650 | 194 | 6.060 | 154 | 3.269 | 83 | 1.910 | 49 |
| 178042* | LB15 | 1 1/2 | 41 | 2.468 | 63 | 7.812 | 198 | 6.180 | 157 | 3.547 | 90 | 2.187 | 56 |
| 178043* | LB20 | 2 | 53 | 3.062 | 78 | 9.970 | 253 | 8.055 | 205 | 4.516 | 115 | 2.500 | 64 |
| 178117* | LB25 | 2 1/2 | 63 | 4.500 | 114 | 13.630 | 346 | 9.825 | 277 | 6.240 | 159 | 4.150 | 105 |

* Bulk packed for 075

CSA, ULI

RIGID PVC CONDUIT FITTINGS - KRALOY

TYPE "LB" ACCESS FITTINGS

ISSUE DATE:
DATE D'EMISSION: 2004 04 30

SUPERCEDES:
REPLACE: 2003 11 15

5

| PRODUCT CODE | PART NUMBER | NOMINAL SIZE | | FILL VOLUME | | INSERT CODE | SCREW CODE | REDUCER CODE | COVER CODE | GASKET CODE |
|-----------------|----------------|--------------|------|-------------|---------|----------------|---------------|-----------------|---------------|----------------|
| | | (in) | (mm) | (cu.in) | (cu.cm) | | | | | |
| 078140 | LB05 | 1/2 | 16 | 4.3 | 71 | | 072563 | | 093106 | 072421 |
| 078141 | LB07 | 3/4 | 21 | 6.8 | 111 | | 072564 | | 093107 | 072422 |
| 078142 | LB10 | 1 | 27 | 11 | 180 | | 072564 | | 093108 | 072735 |
| 078143 | LB12 | 1 1/4 | 35 | 28 | 459 | | 072564 | | 093109 | 072736 |
| 078144 | LB15 | 1 1/2 | 41 | 28 | 459 | | 072564 | | 093110 | 072736 |
| 078145 | LB20 | 2 | 53 | 66 | 1082 | | 072412 | | 093111 | 072738 |
| 078146 | LB25 | 2 1/2 | 63 | 182 | 29767 | 072549 | 072516 | 097558 | 097957 | 097961 |
| 078147 | LB30 | 3 | 78 | 178 | 2923 | 072549 | 072516 | | 097956 | 097961 |
| 078148 | LB35 | 3 1/2 | 91 | 339 | 5553 | 072549 | 072516 | 097991 | 097958 | 097963 |
| 078149 | LB40 | 4 | 103 | 339 | 5553 | 072549 | 072516 | | 097958 | 097963 |
| 178038* | LB05 | 1/2 | 16 | 4.3 | 71 | | 072563 | | 093106 | 072421 |
| 178039* | LB07 | 3/4 | 21 | 6.8 | 111 | | 072564 | | 093107 | 072422 |
| 178040* | LB10 | 1 | 27 | 11 | 180 | | 072564 | | 093108 | 072735 |
| 178041* | LB12 | 1 1/4 | 35 | 28 | 459 | | 072564 | | 093109 | 072736 |
| 178042* | LB15 | 1 1/2 | 41 | 28 | 459 | | 072564 | | 093110 | 072736 |
| 178043* | LB20 | 2 | 53 | 66 | 1082 | | 072412 | | 093111 | 072738 |
| 178117* | LB25 | 2 1/2 | 63 | 182 | 29767 | 072549 | 072516 | 097558 | 097957 | 097961 |

* Bulk packed for 075

MAXIMUM WIRE FILL

| 1/2" + 3/4" + 1" (12 + 21 + 27) | | 1 1/4" (35) | 1 1/2" (41) | 2" (53) | 2 1/2" (63) | 3" (78) | 3 1/2" (91) | 4" (103) |
|---|----------------------|------------------------------|------------------------------|----------------------------|------------------------------|---------------------------|------------------------------|---------------------------|
| MAX. WIRE FILL #6 AWG CONDUCTORS OR SMALLER FOR 1": PULLING COMPOUND REQUIRED FOR #4 AWG | U | 4.500" (114.3) | 5.000" (127.0) | 5.880" (149.4) | 5.750" (146.1) | 8.940" (227.1) | 8.940" (227.1) | 7.940" (201.7) |
| | M D | #2 4.819 (122.4) | #0 5.500" (139.7) | #4 /0 6.567" (166.8) | #4 /0 6.250" (158.8) | #350 9.500" (241.3) | #350 9.500" (241.3) | #350 9.500" (241.3) |

U UL514 INVESTIGATION OF CONDUIT BODIES FOR THREE CONDUCTOR INSTALLATION WITH NO INVESTIGATION

M MAXIMUM WIRE FILL MARKED ON CONDUIT BODY

D DISTANCE BETWEEN HUBS ON CONDUIT BODY

Filename: KRALOY-06.doc
Directory: \\Bersrvbdc\bergen\QC MANUAL
Template: C:\Documents and Settings\joelau\Application
Data\Microsoft\Templates\Normal.dot
Title: SOCKET DIMENSION
Subject:
Author: joe lau
Keywords:
Comments:
Creation Date: 12/22/2000 9:28 AM
Change Number: 17
Last Saved On: 3/31/2004 10:58 AM
Last Saved By: Joe Lau
Total Editing Time: 42 Minutes
Last Printed On: 8/8/2005 12:38 PM
As of Last Complete Printing
Number of Pages: 2
Number of Words: 462 (approx.)
Number of Characters: 2,634 (approx.)