

CSA, UL

RIGID PVC CONDUIT FITTINGS

SINGLE GANG COVER PLATES

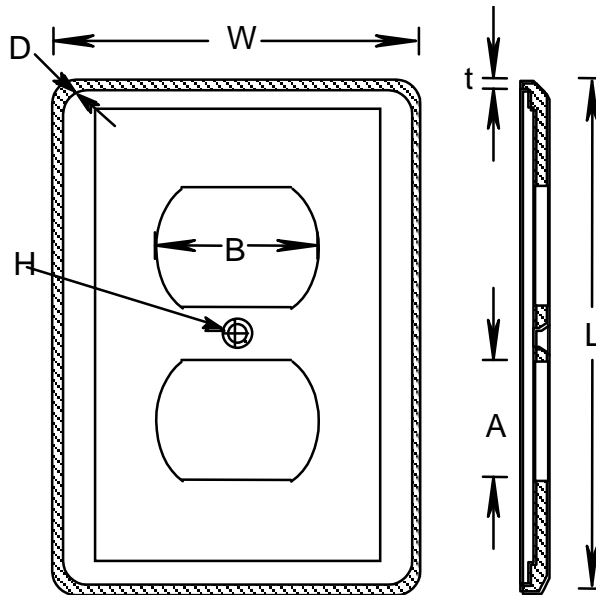
ISSUE DATE:

DATE D'EMISSION: 2007 06 30

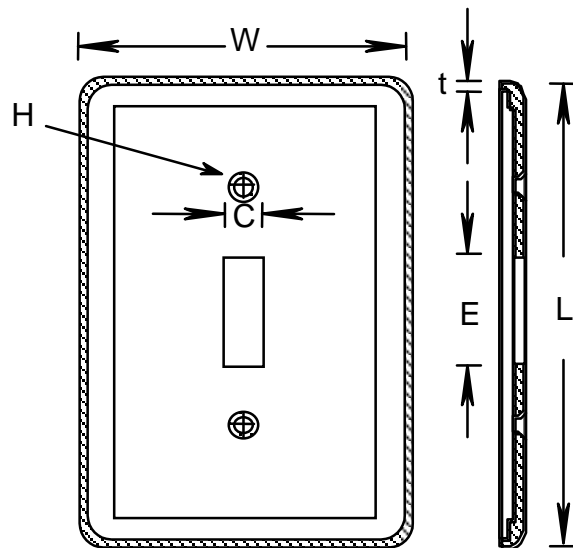
SUPERCEDES:

REPLACE: 2000 12 05

1



DUPLEX RECEPTACLE,
TYPE DRC,
077617



TOGGLE SWITCH,
TYPE TSC,
077616



CSA, UL

RIGID PVC CONDUIT FITTINGS

SINGLE GANG COVER PLATES

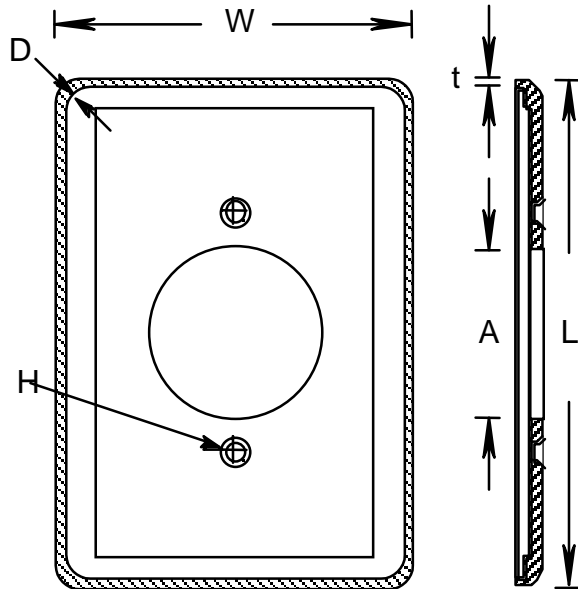
ISSUE DATE:

DATE D'EMISSION: 2007 06 30

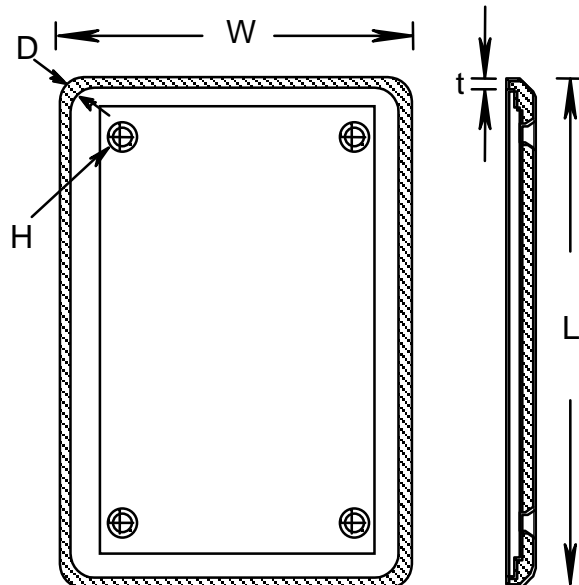
SUPERCEDES:

REPLACE: 2000 12 05

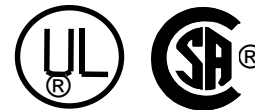
1



SINGLE RECEPTACLE,
TYPE RC
077618,
077619,
077620



BLANK,
TYPE BRC,
077611



DIMENSIONS

L		W		D		H		B	
(in)	(mm)	(in)	(mm)	(in)	(mm)	(in)	(mm)	(in)	(mm)
4.750	120.7	2.970	75.4	0.095	2.4	0.150	3.8	1.345	34.1

C		E		t	
(in)	(mm)	(in)	(mm)	(in)	(mm)
0.440	11.2	0.970	24.6	0.125	3.1

CSA, UL

RIGID PVC CONDUIT FITTINGS

SINGLE GANG COVER PLATES

ISSUE DATE:

DATE D'EMISSION: 2007 06 30

SUPERCEDES:

REPLACE: 2000 12 05

1

PRODUCT CODE	PART NUMBER	A	
		(in)	(mm)
077617	DRC-15/10	1.115	28.3
077618	20RC15/10	1.415	35.9
077619	20-3RC15/10	1.610	40.9
077620	30-3RC15/10	1.760	44.7

PRODUCT CODE	PART NUMBER	6-32X 17/32 QUADREX SCREW	
		CODE	QUANTITY
077617	DRC15/10	072519	4
077616	TSC15/10	072519	4
077611*	BRC15/10	072519	4
077618	20-RC15/10	072519	4
077619	20-3RC15/10	072519	4
077620	30-3RC15/10	072519	4

* COMES WITH SINGLE GANG GASKET, 097982