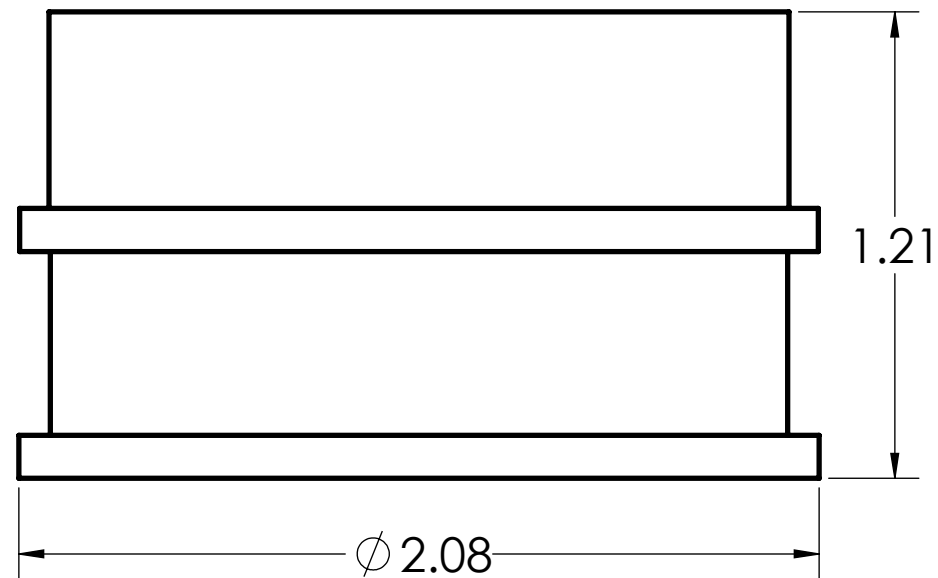
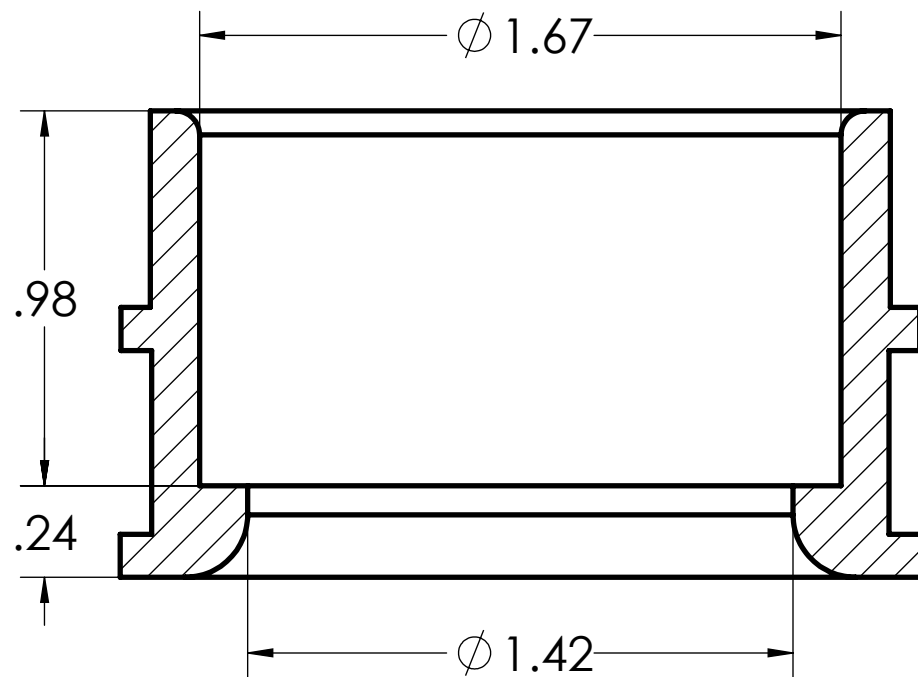
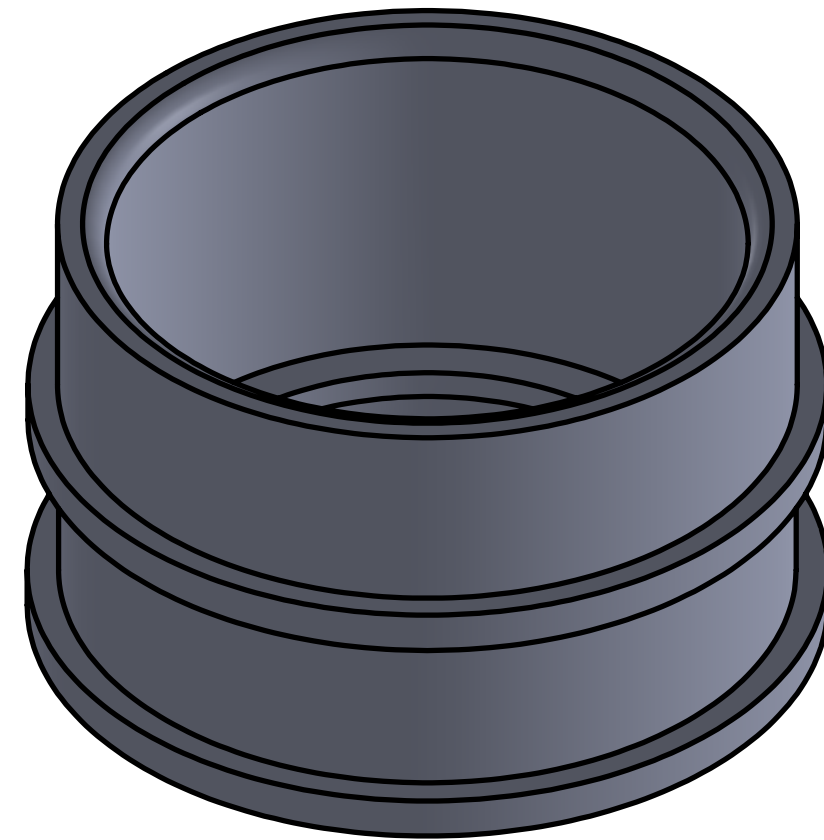
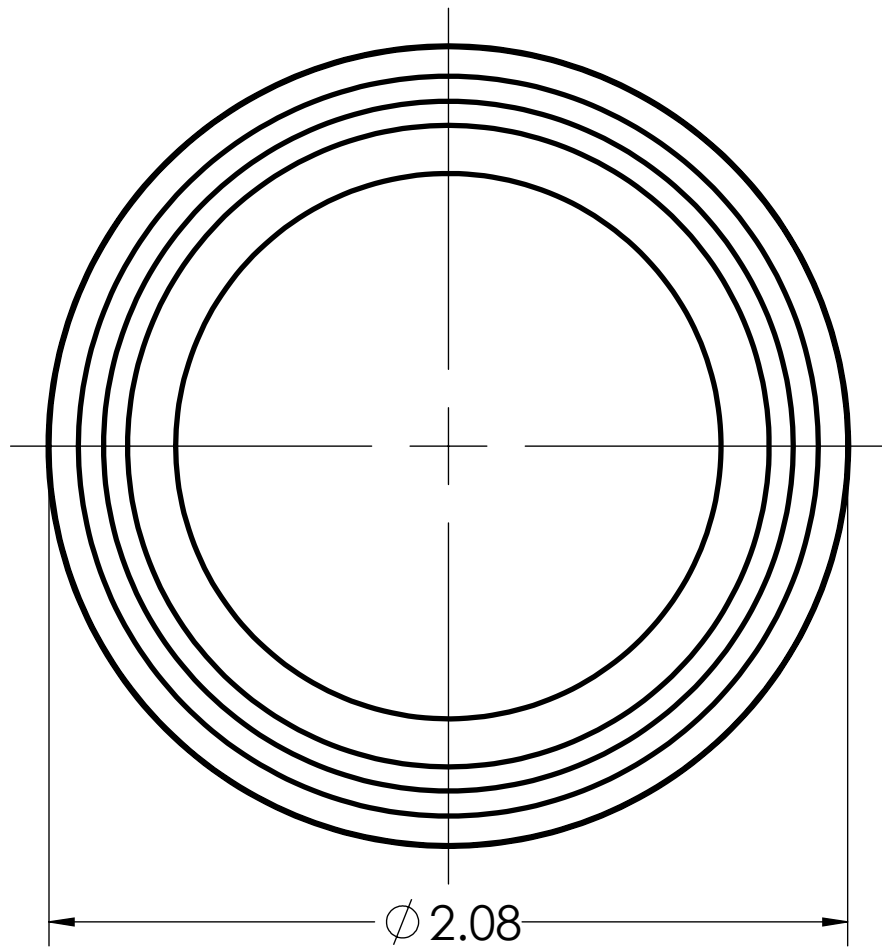


DIMENSIONS SHOWN ARE FOR REFERENCE AND ARE SUBJECT TO CHANGE WITHOUT NOTICE

IPEX Technologies Inc.

PART DESCRIPTION
EB25 1 1/4" PVC MLD END BELL SOC SOCKET MLD SCEPTER

| | | |
|-------------------------|--|---------------|
| PRODUCT CODE: 077324 | UNIT: INCHES UNLESS DUAL DIMENSION: INCH [METRIC] | SCALE: NTS |
| DRAWN: A.R. | | |



| | | |
|---|--|---------------|
| DIMENSIONS SHOWN ARE FOR REFERENCE AND ARE SUBJECT TO CHANGE WITHOUT NOTICE | | |
| IPEX Technologies Inc. | | |
| PART DESCRIPTION EB25 1 1/4" PVC MLD END BELL SOC SOCKET MLD SCEPTER | | |
| PRODUCT CODE: 077324 | UNIT: INCHES UNLESS DUAL DIMENSION: INCH [METRIC] | SCALE: NTS |
| DRAWN: | A.R. | |