

DIMENSIONS SHOWN ARE FOR REFERENCE AND ARE SUBJECT TO CHANGE WITHOUT NOTICE

IPEX Technologies Inc.

PART DESCRIPTION

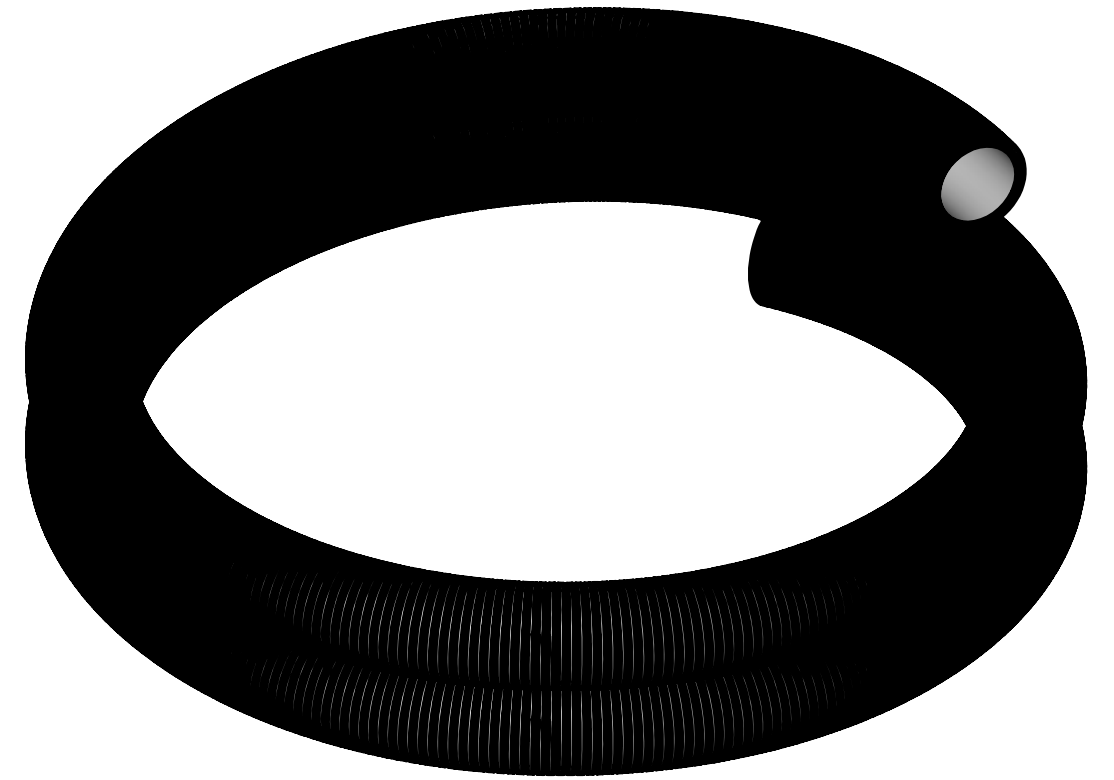
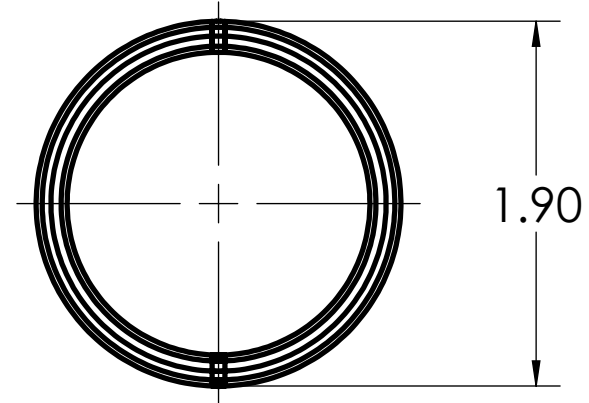
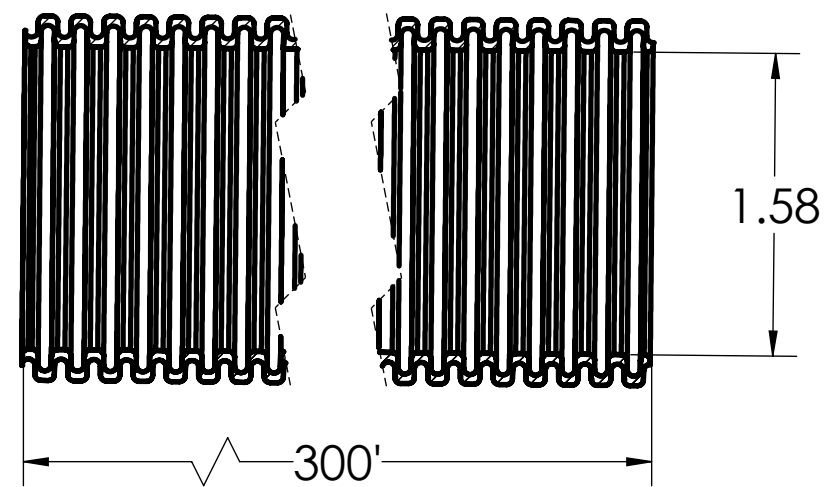
1 1/2"x300' PVC CSA/UL GREY COR-LINE ENT/KWIKON ENT COIL

PRODUCT CODE:
012032

*UNIT: INCHES UNLESS
DUAL DIMENSION: INCH [METRIC]*

SCALE:
NTS

DRAWN: S.I.



DIMENSIONS SHOWN ARE FOR REFERENCE AND ARE SUBJECT TO CHANGE WITHOUT NOTICE

IPEX Technologies Inc.

PART DESCRIPTION

1 1/2"x300' PVC CSA/UL GREY COR-LINE ENT/KWIKON ENT COIL

PRODUCT CODE:
012032

*UNIT: INCHES UNLESS
DUAL DIMENSION: INCH [METRIC]*

SCALE:
NTS

DRAWN: S.I.