

Single Meter Sockets - Without Bypass

125 & 200 Amp

Single Meter Sockets
Without Bypass



011 (closed)



U204 (open)

Application

- Single meter position
- Receive ANSI C12.10 watthour meters
- Surface or flush mount (see chart)

Construction

- Ring type
- NEMA Type 3R
- ANSI 61 gray E-coat finish
- Aluminum snap ring included



Standards

- UL 414 Listed
- ANSI C12.7

Accessories

- 5th Jaw Kit - 50365
- 200A Triplex Ground - ETB200
- AW Hub

Part/UPC Number	Catalog Number	Amp Rating	Jaws	Service Type	Access	Connections		
						Line	Load	Neutral
78205142000	011	125	4	1Ø/3W	OH/UG	#14 - 1/0	#14 - 1/0	#14 - 2/0
78205142040	011 F	125	4	1Ø/3W	OH/UG	#14 - 1/0	#14 - 1/0	#14 - 2/0
78205142045	011 MS73	125	4	1Ø/3W	OH/UG	#14 - 1/0	#14 - 1/0	#14 - 2/0
78205142050	011 SF	125	4	1Ø/3W	OH/UG	#14 - 1/0	#14 - 1/0	#14 - 2/0
78205144030	927	100	7	3Ø/4W	OH/UG	#14 - 1/0	#14 - 1/0	#14 - 2/0
78205156000	204	200	4	1Ø/3W	OH	#6 - 250MCM	#6 - 250MCM	#6 - 350MCM
78205156020	204 F	200	4	1Ø/3W	OH	#6 - 250MCM	#6 - 250MCM	#6 - 350MCM
78205156030	204 F MS73	200	4	1Ø/3W	OH	#6 - 250MCM	#6 - 250MCM	#6 - 350MCM
78205156040	204 MS68	200	4	1Ø/3W	OH	#6 - 250MCM	#6 - 250MCM	#6 - 350MCM
78205156035	204 MS68A	200	4	1Ø/3W	OH	#6 - 250MCM	#6 - 250MCM	#6 - 350MCM
78205108490	204 MS73	200	4	1Ø/3W	OH	#6 - 250MCM	#6 - 250MCM	#6 - 350MCM
78205156005	U204	200	4	1Ø/3W	UG	#6 - 250MCM	#6 - 250MCM	#6 - 350MCM
78205156045	U204 F	200	4	1Ø/3W	UG	#6 - 250MCM	#6 - 250MCM	#6 - 350MCM
78205156060	U204 F MS73	200	4	1Ø/3W	UG	#6 - 250MCM	#6 - 250MCM	#6 - 350MCM
78205156070	U204 MS73	200	4	1Ø/3W	UG	#6 - 250MCM	#6 - 250MCM	#6 - 350MCM
78205156140	U207	200	7	3Ø/4W	OH/UG	#6 - 250MCM	#6 - 250MCM	#6 - 250MCM
78205156170	U207 F	200	7	3Ø/4W	UG	#6 - 250MCM	#6 - 250MCM	#6 - 250MCM
78205156180	U207 MS73	200	7	3Ø/4W	OH/UG	#6 - 250MCM	#6 - 250MCM	#6 - 250MCM

Part/UPC Number	Catalog Number	Overall Dimensions			Top Provision	Knockout Layout
		Height	Width	Depth		
78205142000	011	12"	8"	4 ⁵ / ₈ "	AW Hub	Fig. 1
78205142040	011 F	12"	8"	4 ⁵ / ₈ "	2" max KO	Fig. 1
78205142045	011 MS73	12"	8"	4 ⁵ / ₈ "	AW Hub	Fig. 1
78205142050	011 SF	12"	8"	4 ⁵ / ₈ "	2" max KO	Fig. 1
78205144030	927	17"	8"	4 ⁵ / ₈ "	AW Hub	Fig. 1
78205156000	204	15"	8"	4 ⁵ / ₈ "	AW Hub	Fig. 2
78205156020	204 F	15"	8"	6"	2" max KO	Fig. 2
78205156030	204 F MS73	15"	8"	6"	2" max KO	Fig. 2
78205156040	204 MS68	15"	8"	4 ⁵ / ₈ "	AW / 2" Hub	Fig. 2
78205156035	204 MS68A	15"	8"	4 ⁵ / ₈ "	AW / 2" Hub	Fig. 2
78205108490	204 MS73	15"	8"	4 ⁵ / ₈ "	None	Fig. 2
78205156005	U204	15"	12"	4 ⁵ / ₈ "	None	Fig. 3
78205156045	U204 F	15"	12"	6"	(2) 2" max KO	Fig. 3
78205156060	U204 F MS73	15"	12"	6"	None	Fig. 3
78205156070	U204 MS73	15"	12"	4 ⁵ / ₈ "	None	Fig. 3
78205156140	U207	18"	12"	5"	AW Hub	Fig. 4
78205156170	U207 F	18"	12"	5"	2 ¹ / ₂ " max KO	Fig. 4
78205156180	U207 MS73	18"	12"	5"	AW Hub	Fig. 4

AIC Note:
For short circuit current ratings see page 131.

Single Meter Sockets - Without Bypass

125 & 200 Amp

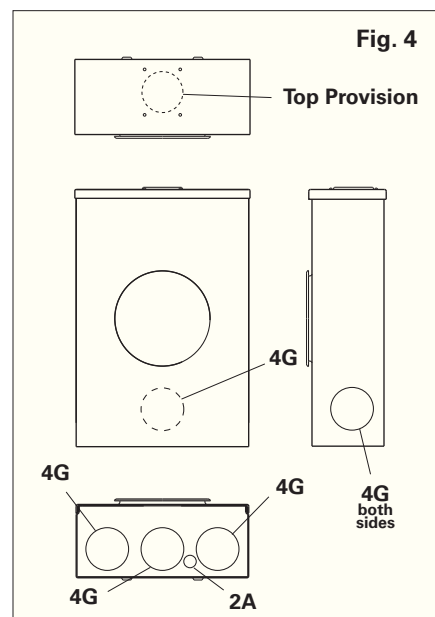
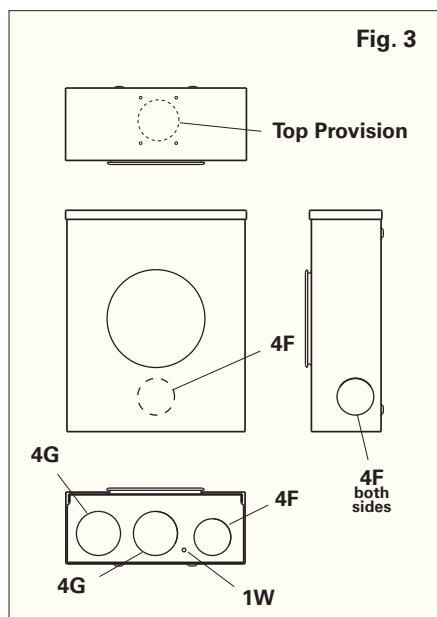
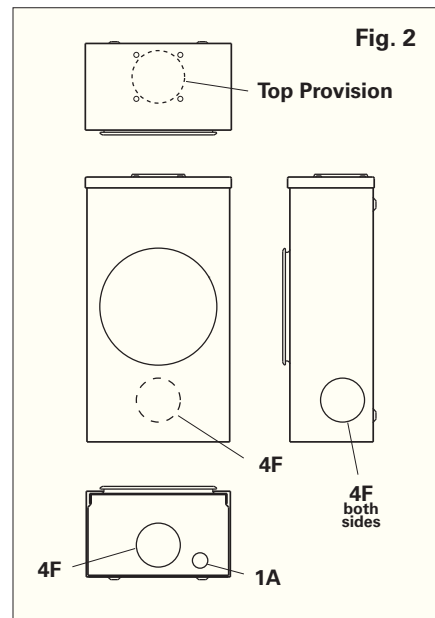
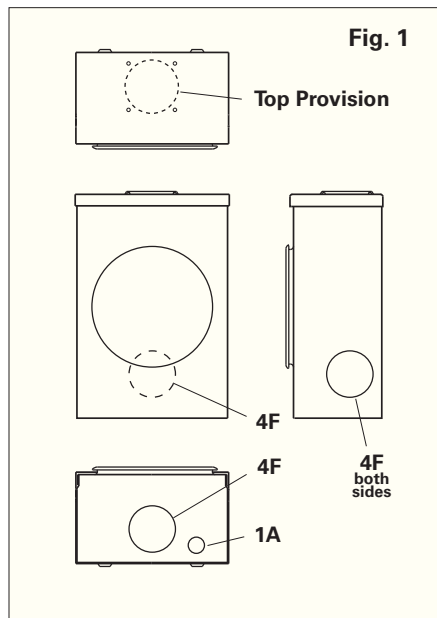
Single Meter Sockets
Without Bypass

Style #	Suffixes
011	F - Flush Mount
(U) 204	MS68 - 2" Conduit Hub
(U) 207	MS68A - MS73 + MS68
927	MS73 - AL Screw Type Ring
	SF - Semi Flush Mount
	SS - Stainless Steel

Knockouts - Conduit Sizes

1W = 1/4"
1A = 1/2"
2A = 1/2" - 1/4"
4F = 2" - 1 1/2" - 1 1/4" - 1"
4G = 2 1/2" - 2" - 1 1/2" - 1 1/4"
Top Provision = See Chart

Knockout Layouts



Data subject to change without notice. Consult local utility for area acceptance. All dimensions are in inches.

Single Meter Sockets - Without Bypass

125 & 200 Amp



UG204 (closed)



UG204 (open)

Application

- Dedicated straight wire line section
- Receive ANSI C12.10 watt-hour meters
- Surface or flush mount (see chart)

Construction

- Ring type
- NEMA Type 3R
- ANSI 61 gray E-coat finish
- Aluminum snap ring included



Standards

- UL 414 Listed
- ANSI C12.7
- EUSERC 301A

Accessories

- 5th Jaw Kit - 50365
- AW Hub

Part/UPC Number	Catalog Number	Amp Rating	Jaws	Service Type	Access	Connections		
						Line	Load	Neutral
78205142030	U011 *	125	4	1Ø/3W	UG	#14 - 2/0	#14 - 2/0	#14 - 2/0
78205156200	UG204	200	4	1Ø/3W	UG	#6 - 350 MCM	#6 - 250 MCM	#6 - 250 MCM
78205156205	UG204 F	200	4	1Ø/3W	UG	#6 - 350 MCM	#6 - 250 MCM	#6 - 250 MCM
78205126000	UG204 F SS	200	4	1Ø/3W	UG	#6 - 350 MCM	#6 - 250 MCM	#6 - 250 MCM
78205126005	UG204 SS	200	4	1Ø/3W	UG	#6 - 350 MCM	#6 - 250 MCM	#6 - 250 MCM

Part/UPC Number	Catalog Number	Overall Dimensions			Top Provision	Knockout Layout
		Height	Width	Depth		
78205142030	U011 *	12"	12"	4 ⁵ / ₈ "	None	Fig. 1
78205156200	UG204	17"	14"	4 ⁵ / ₈ "	None	Fig. 2
78205156205	UG204 F	17"	14"	6"	2" max KO	Fig. 3
78205126000	UG204 F SS	17"	14"	6"	2" max KO	Fig. 3
78205126005	UG204 SS	17"	14"	4 ⁵ / ₈ "	None	Fig. 2

AIC Note:
For short circuit current ratings see page 131.

* NOT compliant with EUSERC 301A

Single Meter Sockets - Without Bypass

125 & 200 Amp

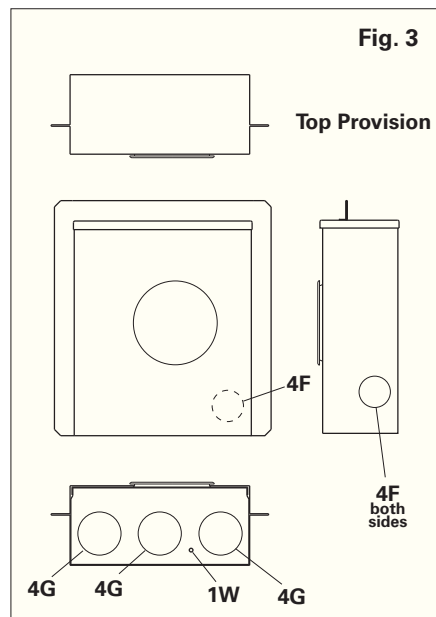
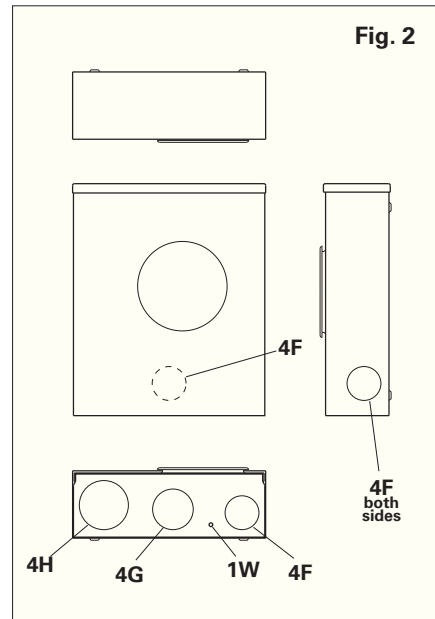
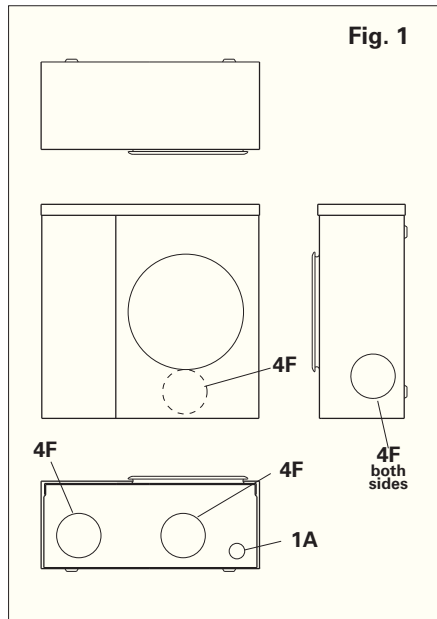
Single Meter Sockets
Without Bypass

Style #	Suffixes
U011	F - Flush Mount
UG204	SS - Stainless Steel

Knockouts - Conduit Sizes

1A = 1/2"
 4F = 2" - 1 1/2" - 1 1/4" - 1"
 4G = 2 1/2" - 2" - 1 1/2" - 1 1/4"
 4H = 3" - 2 1/2" - 2" - 1 1/2"
 1W = 1/4"
 Top Provision = See Chart

Knockout Layouts



Data subject to change without notice. Consult local utility for area acceptance. All dimensions are in inches.

Single Meter Sockets - Without Bypass

125 & 200 Amp

Single Meter Sockets
Without Bypass



011 (closed)



U204 (open)

Application

- Single meter position
- Receive ANSI C12.10 watthour meters
- Surface or flush mount (see chart)

Construction

- Ring type
- NEMA Type 3R
- ANSI 61 gray E-coat finish
- Aluminum snap ring included



Standards

- UL 414 Listed
- ANSI C12.7

Accessories

- 5th Jaw Kit - 50365
- 200A Triplex Ground - ETB200
- AW Hub

Part/UPC Number	Catalog Number	Amp Rating	Jaws	Service Type	Access	Connections		
						Line	Load	Neutral
78205142000	011	125	4	1Ø/3W	OH/UG	#14 - 1/0	#14 - 1/0	#14 - 2/0
78205142040	011 F	125	4	1Ø/3W	OH/UG	#14 - 1/0	#14 - 1/0	#14 - 2/0
78205142045	011 MS73	125	4	1Ø/3W	OH/UG	#14 - 1/0	#14 - 1/0	#14 - 2/0
78205142050	011 SF	125	4	1Ø/3W	OH/UG	#14 - 1/0	#14 - 1/0	#14 - 2/0
78205144030	927	100	7	3Ø/4W	OH/UG	#14 - 1/0	#14 - 1/0	#14 - 2/0
78205156000	204	200	4	1Ø/3W	OH	#6 - 250MCM	#6 - 250MCM	#6 - 350MCM
78205156020	204 F	200	4	1Ø/3W	OH	#6 - 250MCM	#6 - 250MCM	#6 - 350MCM
78205156030	204 F MS73	200	4	1Ø/3W	OH	#6 - 250MCM	#6 - 250MCM	#6 - 350MCM
78205156040	204 MS68	200	4	1Ø/3W	OH	#6 - 250MCM	#6 - 250MCM	#6 - 350MCM
78205156035	204 MS68A	200	4	1Ø/3W	OH	#6 - 250MCM	#6 - 250MCM	#6 - 350MCM
78205108490	204 MS73	200	4	1Ø/3W	OH	#6 - 250MCM	#6 - 250MCM	#6 - 350MCM
78205156005	U204	200	4	1Ø/3W	UG	#6 - 250MCM	#6 - 250MCM	#6 - 350MCM
78205156045	U204 F	200	4	1Ø/3W	UG	#6 - 250MCM	#6 - 250MCM	#6 - 350MCM
78205156060	U204 F MS73	200	4	1Ø/3W	UG	#6 - 250MCM	#6 - 250MCM	#6 - 350MCM
78205156070	U204 MS73	200	4	1Ø/3W	UG	#6 - 250MCM	#6 - 250MCM	#6 - 350MCM
78205156140	U207	200	7	3Ø/4W	OH/UG	#6 - 250MCM	#6 - 250MCM	#6 - 250MCM
78205156170	U207 F	200	7	3Ø/4W	UG	#6 - 250MCM	#6 - 250MCM	#6 - 250MCM
78205156180	U207 MS73	200	7	3Ø/4W	OH/UG	#6 - 250MCM	#6 - 250MCM	#6 - 250MCM

Part/UPC Number	Catalog Number	Overall Dimensions			Top Provision	Knockout Layout
		Height	Width	Depth		
78205142000	011	12"	8"	4 ⁵ / ₈ "	AW Hub	Fig. 1
78205142040	011 F	12"	8"	4 ⁵ / ₈ "	2" max KO	Fig. 1
78205142045	011 MS73	12"	8"	4 ⁵ / ₈ "	AW Hub	Fig. 1
78205142050	011 SF	12"	8"	4 ⁵ / ₈ "	2" max KO	Fig. 1
78205144030	927	17"	8"	4 ⁵ / ₈ "	AW Hub	Fig. 1
78205156000	204	15"	8"	4 ⁵ / ₈ "	AW Hub	Fig. 2
78205156020	204 F	15"	8"	6"	2" max KO	Fig. 2
78205156030	204 F MS73	15"	8"	6"	2" max KO	Fig. 2
78205156040	204 MS68	15"	8"	4 ⁵ / ₈ "	AW / 2" Hub	Fig. 2
78205156035	204 MS68A	15"	8"	4 ⁵ / ₈ "	AW / 2" Hub	Fig. 2
78205108490	204 MS73	15"	8"	4 ⁵ / ₈ "	None	Fig. 2
78205156005	U204	15"	12"	4 ⁵ / ₈ "	None	Fig. 3
78205156045	U204 F	15"	12"	6"	(2) 2" max KO	Fig. 3
78205156060	U204 F MS73	15"	12"	6"	None	Fig. 3
78205156070	U204 MS73	15"	12"	4 ⁵ / ₈ "	None	Fig. 3
78205156140	U207	18"	12"	5"	AW Hub	Fig. 4
78205156170	U207 F	18"	12"	5"	2 ¹ / ₂ " max KO	Fig. 4
78205156180	U207 MS73	18"	12"	5"	AW Hub	Fig. 4

AIC Note:
For short circuit current ratings see page 131.

Single Meter Sockets - Without Bypass

125 & 200 Amp

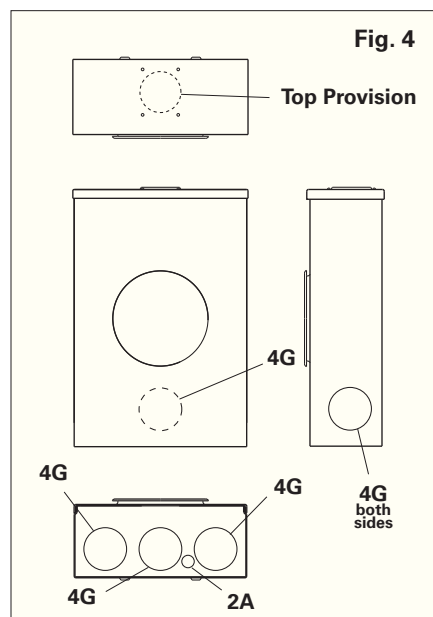
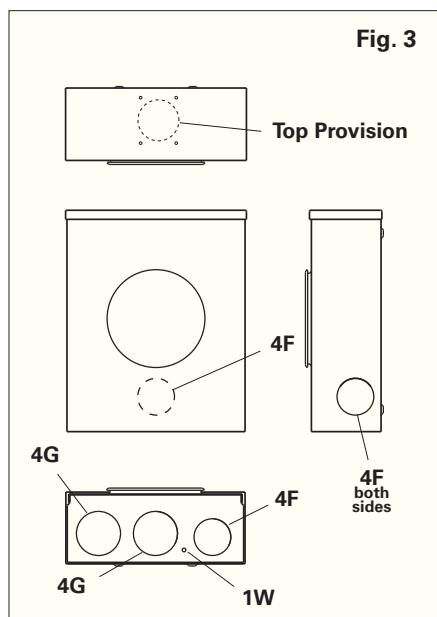
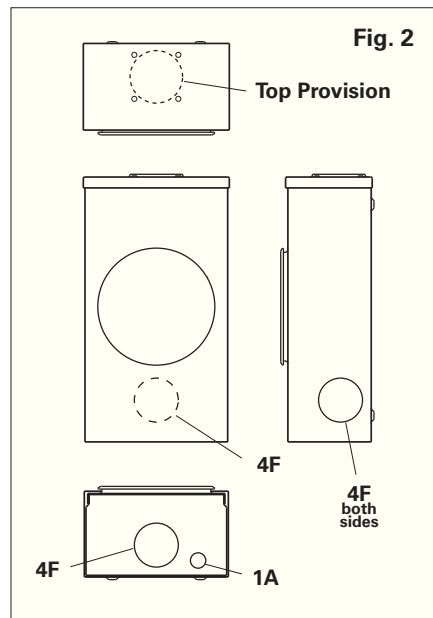
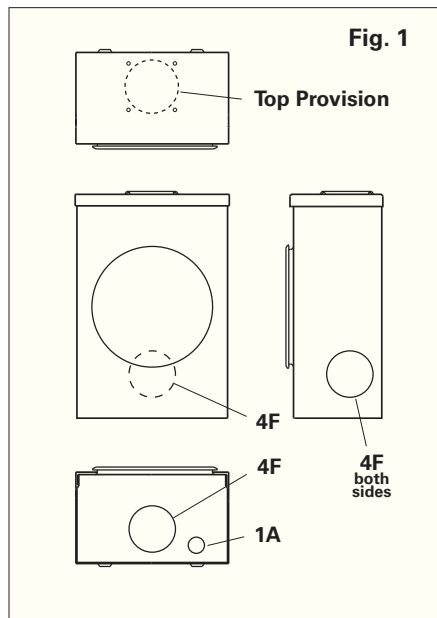
Single Meter Sockets
Without Bypass

Style #	Suffixes
011	F - Flush Mount
(U) 204	MS68 - 2" Conduit Hub
(U) 207	MS68A - MS73 + MS68
927	MS73 - AL Screw Type Ring
	SF - Semi Flush Mount
	SS - Stainless Steel

Knockouts - Conduit Sizes

1W = 1/4"
1A = 1/2"
2A = 1/2" - 1/4"
4F = 2" - 1 1/2" - 1 1/4" - 1"
4G = 2 1/2" - 2" - 1 1/2" - 1 1/4"
Top Provision = See Chart

Knockout Layouts



Data subject to change without notice. Consult local utility for area acceptance. All dimensions are in inches.

Single Meter Sockets - Without Bypass

125 & 200 Amp



UG204 (closed)



UG204 (open)

Application

- Dedicated straight wire line section
- Receive ANSI C12.10 watthour meters
- Surface or flush mount (see chart)

Construction

- Ring type
- NEMA Type 3R
- ANSI 61 gray E-coat finish
- Aluminum snap ring included



Standards

- UL 414 Listed
- ANSI C12.7
- EUSERC 301A

Accessories

- 5th Jaw Kit - 50365
- AW Hub

Part/UPC Number	Catalog Number	Amp Rating	Jaws	Service Type	Access	Connections		
						Line	Load	Neutral
78205142030	U011 *	125	4	1Ø/3W	UG	#14 - 2/0	#14 - 2/0	#14 - 2/0
78205156200	UG204	200	4	1Ø/3W	UG	#6 - 350 MCM	#6 - 250 MCM	#6 - 250 MCM
78205156205	UG204 F	200	4	1Ø/3W	UG	#6 - 350 MCM	#6 - 250 MCM	#6 - 250 MCM
78205126000	UG204 F SS	200	4	1Ø/3W	UG	#6 - 350 MCM	#6 - 250 MCM	#6 - 250 MCM
78205126005	UG204 SS	200	4	1Ø/3W	UG	#6 - 350 MCM	#6 - 250 MCM	#6 - 250 MCM

Part/UPC Number	Catalog Number	Overall Dimensions			Top Provision	Knockout Layout
		Height	Width	Depth		
78205142030	U011 *	12"	12"	4 ⁵ / ₈ "	None	Fig. 1
78205156200	UG204	17"	14"	4 ⁵ / ₈ "	None	Fig. 2
78205156205	UG204 F	17"	14"	6"	2" max KO	Fig. 3
78205126000	UG204 F SS	17"	14"	6"	2" max KO	Fig. 3
78205126005	UG204 SS	17"	14"	4 ⁵ / ₈ "	None	Fig. 2

AIC Note:
For short circuit current ratings see page 131.

* NOT compliant with EUSERC 301A

Single Meter Sockets - Without Bypass

125 & 200 Amp

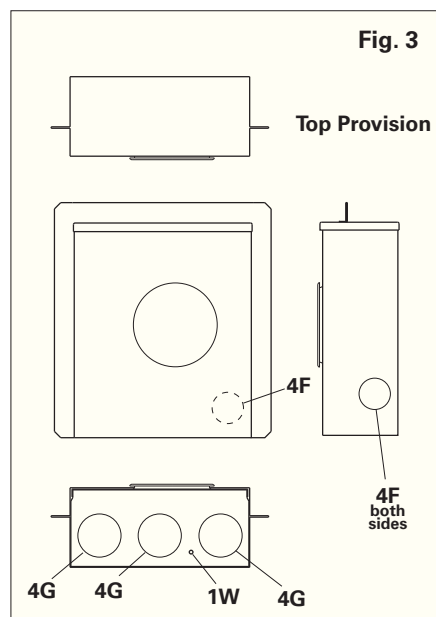
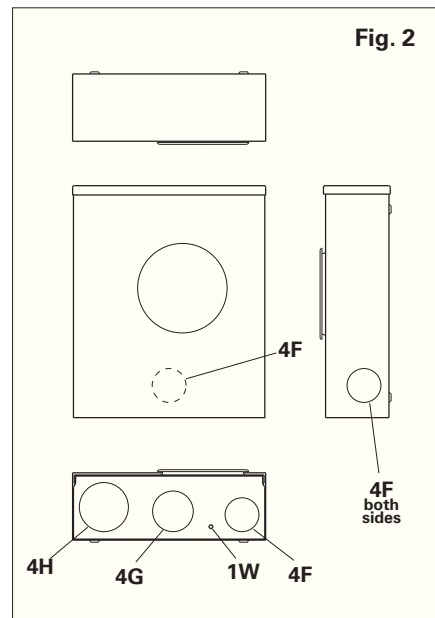
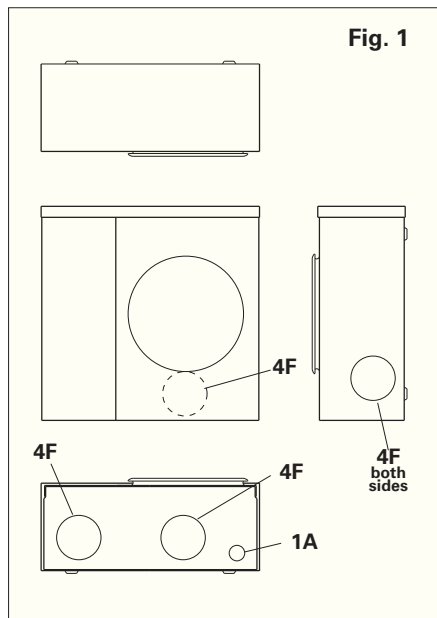
Single Meter Sockets
Without Bypass

Style #	Suffixes
U011	F - Flush Mount
UG204	SS - Stainless Steel

Knockouts - Conduit Sizes

1A = 1/2"
 4F = 2" - 1 1/2" - 1 1/4" - 1"
 4G = 2 1/2" - 2" - 1 1/2" - 1 1/4"
 4H = 3" - 2 1/2" - 2" - 1 1/2"
 1W = 1/4"
 Top Provision = See Chart

Knockout Layouts



Data subject to change without notice. Consult local utility for area acceptance. All dimensions are in inches.